

Dear Dr. Armin Sorooshianlaw and Natascha Töpfer,

Your e-mail of 19 May recognizes that I replied fairly early in the discussion period to all of the interactive comments, consistent with the *Atmospheric Chemistry and Physics* objective to stimulate further discussion by interested scientists. However, that e-mail also specified that “the response to the Referees shall be structured in a clear and easy to follow sequence: (1) comments from Referees, (2) author's response, (3) author's changes in manuscript”. Therefore, I include here copies of my replies, with a format that orders comments from Referees (in normal font), **author's response (in bold)**, and *author's changes in manuscript (in italics)*.

Please note that the replies below are also slightly different from the on-line replies that I posted in April, and the manuscript has also changed slightly as I have had more time to improve it. All of these changes are noted below using track changes in Word, for the convenience of the editor and reviewers.

I look forward to hearing from you regarding the possibility that this manuscript can be published in *Atmospheric Chemistry and Physics*.

Sincerely,

Andrew S. Kowalski
Profesor Titular de Universidad
Departamento de Física Aplicada
Avenida Fuentenueva S/N
Universidad de Granada
18071 Granada
SPAIN
Tel: +34 958 24 90 96
Fax: +34 958 24 32 14
<http://www.ugr.es/~andyk>

Changes Not Caused by Referee Comments

The author has discovered one substantial and two minor issues with the manuscript that he believes require modifications, independent of the comments from these three referees.

The substantial issue regards a comment from the original submission, prior to publication on-line in *Atmospheric Chemistry and Physics Discussions* (comment number 6 from the 2nd reviewer; March, 2017), and regards the nomenclature describing eqs. (1) and (3). The reviewer's comment was very insightful, but both the author's reply and original modification to the manuscript were inappropriate.

The referee's comment was:

I think momentum should have the unit of kg m/s, but in Eq. (3) it has kg/m²/s and thus should not be called momentum, or the equation should be expanded to show momentum. I must admit that it is not quite clear what rho is - I assumed density (kg/m³); on page 4 top, rho is defined as "fluid density" but without giving the units. If "fluid density" is in kg, then Eq. (3) would be OK, but then rho is a mass, not a density. This needs to be rectified to be consistent and understandable.

The author's reply was:

The reviewer is correct regarding the units of momentum and density. Indeed, Eq. (3) describes momentum flux densities, and I should have been more careful with the terminology here. The references to "momentum" between equations (3) and (4) have now been changed to mention the "momentum flux density", consistent with the terminology used to describe Eq. (1).

While teaching Micrometeorology recently, the author realized a mistake he had made in this regard. The "momentum flux density", being a form of stress (like pressure), has units of $\text{kg m}^{-1} \text{s}^{-2}$. By contrast, eqs. (1) and (3) have units of $\text{kg m}^{-2} \text{s}^{-1}$. This represents momentum per unit volume, which might be termed a momentum density, but is better described in terms of mass flux densities, or simply flux densities of air and water vapour.

As a result of this "old" comment from Reviewer 2 of the ACPD submission, the author has deleted the word "momentum" three times in the text: first, just prior to and describing eq. (1) (now at line 87), and then twice in the sentence following and describing eq. (3) (now at line 294).

Minor changes:

1. *Because the text in the 4th paragraph of the introduction is truly supportive of the 3rd paragraph of the introduction, the author has removed the paragraph break and merged these two paragraphs into one.*
2. The author has deleted the repeated word "is" in the second line of the Conclusions section.

Replies to Anonymous Referee #1

General comment

The paper gives a relevant theoretical contribution in the delicate argument of the fluxes of water vapor and other gasses taking place in close vicinity of leaves and other surfaces, where evaporation takes place. This argument was overlooked in the past, leading to some improper simplifications. The paper is well written and organised. I welcome this contribution and I recommend it for publication. I suggest only some minor changes in order to make it more accessible, clear and concise.

The author thanks the referee for this clear endorsement. *This comment requires no change to the manuscript.*

Specific indications

Line 12: The vertical bars indicating processes taking place close to the surface are relatively uncommon and introduced only later in the text. This could reduce the potential readership. I recommend describing the processes by simple words in the abstract (and in the conclusions). The author agrees. *The author has changed the abstract accordingly, and also slightly changed conclusions where such wording was already largely in place (see reply to comment about line 477 below).*

Line 86: ‘. . .are the those properties. . .’ I think the term ‘those’ is unnecessary. The same at line 90. The author agrees. *These unnecessary terms have been deleted.*

In equation 2 the letter k could be capital for consistency with ‘K-theory’ (Line 130). The author agrees. *The variable k has been made upper-case in the text (now at lines 117 and 136), in the equation, and also in Table 1.*

Line 139: What is the condition of the water present in the pool at the beginning of the experiment? Only at line 150 it is reported that the pool has zero salt mass. The condition of the water present in the pool at the beginning of the experiment varies as a function of the case scenario. In the first scenario (specified at line 150), it has zero salt mass; in the second scenario (specified at line 181), it is freshwater with salinity equal to that entering from the tube. The author agrees that the original text leaves the reader wondering for too long. *The author has modified the sentence (now at line 145) to say “into the bottom of a pool (Figure 1) of salinity specified according to the two case scenarios defined below”.*

Line 157: The concept that the tube (or better, the liquid present in the tube) is a source of salinity is somewhat repeated. The author feels that such repetition is necessary in order to clarify an important point, namely that after the moment t_{eq} the tube no longer represents a source of salinity, but rather dilutes the pool. *The author has made no changes as a result of this comment.*

Line 170: I would recommend defining early in the text the initial conditions. The same in all case studies presented. This is indeed what has been done. The initial conditions of case scenarios 1 and 2 are specified early in the text (lines 148-152 for case scenario 1; lines 181-184 for case scenario 2). Furthermore, they are presented in italic font, consistent with the words “characteristics of the two 146 case scenarios” at line 146. The points of view regarding (a) salinity (starting at line 154) and (b) thermodynamics (starting at line 170) refer to the same case scenario.

The author appreciates that this was less than clear, and has modified the text (now at line 162) to say that “This first case scenario is of interest from both (a) salt/solute and (b) thermodynamic points of view:”, in order that the reader clearly appreciate that points of view (a) and (b) both refer to the same conditions.

Line 189: ‘. . .volume. . .at a point. . .’, I cannot understand. A point has no volume by definition, at least in geometry. Although a point is infinitesimal and has no volume in geometry, in fluid dynamics it must have a finite size, based on the continuum hypothesis. This allows mathematical specification of both state and flow properties - which only have meaning when averaging very many molecules - and their derivatives. In this context, there is a tradition of writing equations in the constant-volume (Eulerian)

fluid specification to describe the fluid “at a point”. In the manuscript, the quotation marks in the manuscript denote the implicit assumption regarding both the fluid as a continuous medium and the finite volume of the point under consideration.

To make this somewhat more clear to the reader, the author has modified the parenthetical remark – now at line 200 - to say ‘(e.g., “at a point”, in an Eulerian fluid specification)’.

Line 223 and following. Are these four cases, all similar, strictly necessary? A single case study of the size of a leaf (e.g., 1 cm²) would simplify the text. The author feels that the four cases are indeed worth considering, for the simple reason that the derived velocities represent spatial averages that are valid over a variety of scales, the larger of which are of particular interest to meteorologists. However, the manuscript neglected to make this explicit. *As a result, the author has changed the paragraph that begins at 299 to the following:*

The representative evaporation rate prescribed in Table 3 and vertical velocity resulting from eq. (4) are valid for most of the scales defined above. Thus, the boundary condition $w|_0$ is valid for the synoptic scale (notwithstanding vertical motion aloft, such as subsidence), for the micrometeorological scale, and even for the leaf scale. In the context of scale analysis, leaves may be approximated as having equal area as the underlying surface (i.e., a unit leaf area index, or LAI=1), and equal evaporation rates as the surface in general. This latter assumption does not neglect soil evaporation, but only excludes the possibility that it dominate leaf evaporation by an order of magnitude. Thus, it will be assumed here that the assumed evaporation rate and derived vertical velocities are equally valid at synoptic (A), micrometeorological (B), and leaf (C) scales. The order of magnitude is different, however, at the microscopic (D) scale. To show this, it will be assumed here that all leaf evaporation (or transpiration) occurs through the small fraction of the leaf that is stomatal (σ), such that both the stomatal evaporative flux density and the lower boundary condition for the vertical velocity ($w|_0$) are a factor $1/\sigma$ greater than that at larger scales. Independent of scale, Eq. (4) states that, for a positive evaporation rate, the boundary condition for the vertical velocity is non-zero and upward.

Line 404. ‘average air speed exiting a stomatal aperture is 3.1 mm s⁻¹.’ I would find interesting if the author could provide a plot or a table showing how the main physical (pore size) or environmental variables (T? P?) affect this velocity. The roles of such variables in modulating this velocity are quite small in comparison with its near-direct, linear dependence on the evaporation rate, as described by eq. (4). Such dependences do not, in the author’s opinion, merit depiction via a plot or a table. *The author has made no changes as a result of this comment.*

Line 436. ‘described in many chemical engineering texts’. Any references? The author agrees. *The author has added references to three chemical engineering texts here (Kreith et al., 1999; Lienhard and Lienhard, 2000; Bird et al., 2002).*

Line 471: Any more recent references about helox experiments? The author is unaware of more recent references regarding helox experiments, but points out that the Mott and Parkhurst (1991) paper has been cited more than 300 times (Web of Science). *The author has made no changes as a result of this comment.*

Line 483: import->importance(?). *The author has made this proposed change.*

Line 477 and following (Conclusions).I suggest to remove also from here uncommon symbols or to explain them all. More generally, I would still have a question: do the non-diffusive process described in the text have computational or only theoretical/descriptive effects?

The author agreed to explain the symbols in the conclusions section. However, upon revising the conclusions, the author finds that the “uncommon” symbols are already largely explained. The sentence in question states that “the boundary condition for the vertical velocity is $w|_0 = \frac{E}{\rho|_0}$, where $\rho|_0$ is the air density at the surface”. *As a result of this comment, the author has added at line 510 the adjective “lower” such that this sentence now reads “the lower boundary condition for the vertical velocity is $w|_0 = \frac{E}{\rho|_0}$, where $\rho|_0$ is the air density at the surface”.* In this way, both of the “uncommon” symbols are explained.

The computation of non-diffusive transport is given by equation (7). This is the amount of transport that should be subtracted from total transport in order to characterize diffusive transport, which is the quantity that is relevant to the derivation of flux-gradient relationships such as the eddy diffusivity and/or stomatal conductance. The purpose of the last three paragraphs of section 3.3 is to compute, for particular gases using representative flux magnitudes and environmental conditions, the magnitudes of these “corrections” to the eddy diffusivity and/or stomatal conductance. *The author has made no changes as a result of this comment about computational/theoretical effects.*

In Figure 2, it could be helpful if the presence of Mercury, and the circumstance that the tube is open to the atmosphere, would be indicated in the design. The author agrees. *The author has modified Figure 2, inserting the information regarding the mercury in the manometer and the fact that the tube is open to the atmosphere.*

Replies to Referee #2 (W. Eugster)

The author is known for his accurate and meticulous assessment of very fundamental aspects of atmospheric physics. In his present paper he addresses an issue that has led to many discussions before and which has not been convincingly solved so far: the magnitude of the vertical motion in the planetary boundary layer near the Earth's surface, a motion that is too small to be accurately measured with present-day state-of-the-art ultrasonic anemometers, but which is still large enough to affect (eddy covariance) flux measurements of trace gases.

So far most scientists would agree that at a certain small height above the solid ground surface, the roughness height $z|_0$ (in Kowalski's notation) the mean horizontal wind speed must be 0 ms^{-1} , and also mean vertical wind speed $w|_0$ should be 0 ms^{-1} , a boundary condition that Kowalski questions on good grounds. He links $w|_0$ directly to the moisture flux density (E). He develops his theory based on the one-dimensional equation

$$w\rho = \sum_{i=1}^N w_i\rho_i. \quad (1)$$

with w_i and ρ_i being the vertical velocity and partial density of gas component i in a gas mixture with N components. Conceptually this is a hydrostatic approach that only allows for expansion in the vertical direction, which may exaggerate the magnitude of vertical velocity w . Hence, in Section 2.3 Kowalski expands to the full 3-d advectiondiffusion concept that should better represent reality.

The author thanks Dr. Eugster for this assessment, which shows that the manuscript has managed to communicate the essence of the theory being developed. *The author has made no changes as a result of this comment.*

My main critique – although I must admit that my own understanding of atmospheric physics is not nearly up to the level of that of Kowalski's – is the following:

1. Kowalski primarily associates the vertical velocity at roughness height $z|_0$ with the evaporative flux E but not with the vertical sensible heat flux H. I would assume that this is only correct for $H = 0 \text{ W m}^{-2}$, but not for any other magnitude of sensible heat flux. In my view a partial gas density expressed as ρ_i in kg m^{-3} has its volume component affected by both sensible and latent heat fluxes – and all other gas component fluxes (which however can be neglected, I agree on this aspect). An explicit treatment of the effect of H would be essential in my view to help the average reader (like myself) better understand the concept and argumentation.

The author disagrees here, and points to his previous publications that address this very issue.

Certainly, it is traditional in micrometeorology to infer a mean velocity in the direction of the sensible heat flux (Webb et al., 1980; "WPL"), as Dr. Eugster asserts. However, Kowalski (2012) showed that this inference is an artefact of imprecise averaging procedures. Perhaps the simplest illustration of the WPL error is given by the scenario visualized in the artless drawing in Figure X below, where turbulent air convection is enclosed within a stationary chamber with an upward heat flux under steady-state conditions.

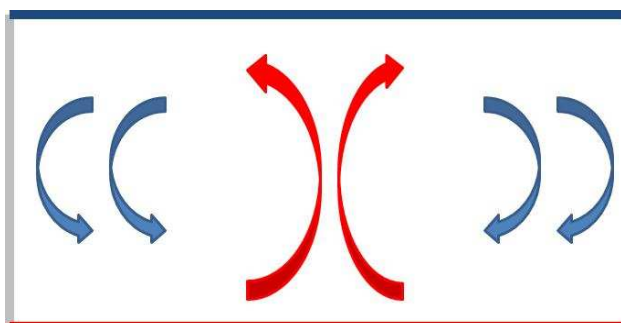


Figure X. A chamber with a heated floor (red), chilled ceiling (blue), and insulated side walls (grey). The inside air is in steady state and turbulent (convective) due to an unstable lapse rate.

The most fundamental definition of the mean velocity of a system is the ratio of its displacement to the time elapsed. For steady-state air confined to a stationary chamber, its displacement over long time periods is clearly zero, and therefore so is the average velocity, notwithstanding WPL predictions of an upward velocity associated with the upward heat flux.

For non-steady-state conditions, average velocities can occur due to expansion/compression of the air layer near a surface boundary. For example, in Figure X, assuming that temperature effects dominate those of pressure in determining air density, there is more air near the cool ceiling than at the hot floor. Thus, eliminating floor heating and ceiling cooling would result in a net downward transport of air. Such effects are treated by Kowalski and Serrano-Ortiz (2008) for a simple scenario, neglecting evaporation's influence on the average velocity, and demonstrating conceptual errors in the WPL velocity. A more general derivation, combining the effects of compressibility and vapor exchanges, is beyond the scope of the current discussion.

The author has made no changes as a result of this comment.

2. In principle the concept and analysis could be expanded to the different isotopes (stable or unstable, but the treatment of unstable isotopes would probably add yet another layer of complexity) of each gas component. At least the coverage of stable isotopes might be helpful in context with “counter-gradient isotope fluxes” that tend to be brought up occasionally.

The author agrees that the concept and analysis could be expanded to the issue of isotope transport, but is ignorant of the phenomenon of “counter-gradient isotope fluxes”. Perhaps Dr. Eugster could provide references for these observations (?). Otherwise, it seems that this issue is beyond the scope of the present manuscript, but could be worthy of future investigation.

The author has made no changes as a result of this comment, but remains interested in learning more about “counter-gradient isotope fluxes”.

3. It would be appreciated to reword some passages where plant physiologists and plant ecologists are non-neutrally qualified as partially ignorant scientists. I must admit that I had a private discussion with Graham Farquhar at a conference in Interlaken more than 10 years ago about “counter-gradient isotope fluxes” and actually had the feeling that it is fruitful in interdisciplinary work to exchange ideas between disciplines, but should not consider ourselves superior to those who start to dig into new terrain (from their perspective) – we tend to leave a similarly bleak trace if we dare to lean outside of our own territory. I think it is the strength of interdisciplinary researchers that they take the risk to be considered a non-savant outside their area of profound expertise, and we should restrain from spreading bad marks to others from other disciplines (this relates mostly to lines 394–395, 410, 415–424).

The author is aware that some readers find his writing style to be offensive, has worked hard to try to correct this problem, and is not surprised to find that it persists. There can be little doubt regarding the benefits of exchanging ideas between disciplines, and any specific recommendations would be very welcome regarding how to reword passages so as to be more neutral.

However, having said that, the author is unwilling to refrain from criticizing theories or procedures that are incorrect. The objective here is not to consider anyone as superior, but rather to discover and defend the truth, and the author has taken great care to do this based solidly on fundamental physical laws. From the author's point of view, Jarman (1974) neglected momentum conservation, erroneously classified the description of Parkinson and Penman (1970) as “incorrect” (twice) or “substantially incorrect” (twice more), and misled an entire community of scientists along a mistaken path for several decades. The key question then is how correct this error and prevent its further propagation.

In an attempt to comply with Dr. Eugster's suggestion and avoid defaming a particular discipline, the author has adopted the following changes

- *Lines 419: delete “,as has been neglected by the discipline of plant physiology, or ecophysiology”;*
- *Line 434: delete “, but broadly neglected in the field of ecophysiology”*
- *Line 447: delete “among plant physiologists”*

4. The conclusions end with a very general take-home message, but since the author puts so much emphasis in his text to educate plant ecologists, it would be beneficial to have a more specific recommendation set for what plant ecologists finally are supposed to do with this new-gained knowledge. This does not explicitly become clear and the paper would benefit by having such explicit, specific recommendations that I and other could easily pick up, understand, and implement in our own calculations.

Unfortunately, the author has not been able to develop a “quick fix”: an algorithm or equation that would immediately correct WUE or c_1 by accounting for non-diffusive transport. This therefore falls under the category of future research, and is open to any scientist who may have better ideas about solving these tricky issues. *The author has made no changes as a result of this comment.*

“Minor technical issues”:

L. 86: add “vertical” before velocity

The author has made this change (now line 89).

L. 403: this appears to be the old notation of the previous (internal) version and should now read ($w \downarrow$)

The author has made this change (now line 427). The author found and corrected the same problem in the last paragraph of the discussion (now line 505).

Replies to Anonymous Referee #3

General comments: Vertical velocity has a tiny magnitude near surface and is difficult to measure because its magnitude is usually smaller than errors. However, vertical velocity plays a substantial role in mass and energy exchanges between land and atmosphere. For simplicity, they usually assume it is zero at surface. The author argues that it is non-zero by a “thought experiment”. The author is a theoretical thinker. This paper shines light on this knowledge gap. I recommend it to be published with minor revision.

The author thanks the referee for this endorsement. *The author has made no changes as a result of this comment.*

Specific comments:

(1) 2.1.2 The 0th Law of Thermodynamics – I do believe that this is a case from second law of thermodynamics (Postulate of Clausius, see Thermodynamics by Enrico Fermi, 1936). I don’t think that “The 0th Law of Thermodynamics” is independent from second law of thermodynamics. So I suggest using the second law of thermodynamics instead of the 0th Law so that your statements no matter heat transfer and mass diffusion are govern by the same second law of thermodynamics. Fourier’s law and Fick’s law are empirical relationships between fluxes and gradients. Gradients are drivers for fluxes and consequences of fluxes reduce gradients, following a single irreversible direction (entropy increasing) – equilibrium (entropy maximum) –second law of thermodynamics.

The 1936 textbook cited, although authored by a great physicist, is nonetheless out of date regarding this issue. Modern physics texts (e.g., Giancoli, 1984) recognize that the 1st and 2nd Laws, although definitively stated first, logically depend on the prior assertion of the 0th Law; this explains its odd name. Formalization of the 0th Law occurred in the mid-1930s, but was not broadly accepted until well after the publication of Fermi’s textbook. *The author has made no changes as a result of this comment.*

(2) Vertical velocity at surface is always positive (upward) predicted by the equation (4). Based on your thought experiment, this looks true everywhere (leaves, ground, water surface) including large scale (e.g. synoptic scale). To my knowledge, it is sure that vertical velocity is negative in high pressure system areas and positive in low pressure system areas. Therefore, it is difficult for me to understand the positive vertical velocity predicted by your theory in high pressure system areas or divergent air-flow near surface at any scale. Please clarify the conflict in your revision.

Synoptic-scale velocities are of order 3 cm s^{-1} (e.g., Carlson and Stull, 1986, Subsidence in the nocturnal boundary layer, *J. Clim. Appl. Met.*, **25**, 1088-1099). Whether the boundary condition at the surface is the traditionally conceived $w|_0 = 0 \text{ cm s}^{-1}$, or $0.000031 \text{ cm s}^{-1}$ as derived from eq. (4), synoptic-scale subsidence implies a convergence in the vertical winds between the surface and the height at which it occurs. It seems that there is no conflict that requires clarification. *The author has made no changes as a result of this comment.*

(3) Page 6 second paragraph, It is fine to me with “vertical advection” because it is clearly defined by vertical component It does not need to assume horizontal homogeneity.

The author agrees, and initially proposed simply to delete the last two sentences of this paragraph. However, upon careful reconsideration, the author wishes to finish this paragraph with a statement to clarify a key distinction between advection and diffusion. *Therefore, the author has deleted the two sentences at the end of the first paragraph of section 2.3 (and consequentially the Rannik et al., 2009 paper has been removed from the references section), and added a new sentence to finish this paragraph (now at lines 213-214), to say that: “Thus advection, unlike diffusion, is not a form of transport, but rather a consequence of differential transport.”*

Dear Dr. Armin Sorooshianlaw and Natascha Töpfer,

Your e-mail of 19 May recognizes that I replied fairly early in the discussion period to all of the interactive comments, consistent with the *Atmospheric Chemistry and Physics* objective to stimulate further discussion by interested scientists. However, that e-mail also specified that “the response to the Referees shall be structured in a clear and easy to follow sequence: (1) comments from Referees, (2) author’s response, (3) author’s changes in manuscript”. Therefore, I include here copies of my replies, with a format that orders comments from Referees (in normal font), **author’s response (in bold)**, and *author’s changes in manuscript (in italics)*.

Please note that the replies below are also slightly different from the on-line replies that I posted in April, and the manuscript has also changed slightly as I have had more time to improve it. All of these changes are noted below using track changes in Word, for the convenience of the editor and reviewers.

I look forward to hearing from you regarding the possibility that this manuscript can be published in *Atmospheric Chemistry and Physics*.

Sincerely,

Andrew S. Kowalski
Profesor Titular de Universidad
Departamento de Física Aplicada
Avenida Fuentenueva S/N
Universidad de Granada
18071 Granada
SPAIN
Tel: +34 958 24 90 96
Fax: +34 958 24 32 14
<http://www.ugr.es/~andyk>

Changes Not Caused by Referee Comments

The author has discovered one substantial and two minor issues with the manuscript that he believes require modifications, independent of the comments from these three referees.

The substantial issue regards a comment from the original submission, prior to publication on-line in *Atmospheric Chemistry and Physics Discussions* (comment number 6 from the 2nd reviewer; March, 2017), and regards the nomenclature describing eqs. (1) and (3). The reviewer's comment was very insightful, but both the author's reply and original modification to the manuscript were inappropriate.

The referee's comment was:

I think momentum should have the unit of kg m/s, but in Eq. (3) it has kg/m²/s and thus should not be called momentum, or the equation should be expanded to show momentum. I must admit that it is not quite clear what rho is - I assumed density (kg/m³); on page 4 top, rho is defined as "fluid density" but without giving the units. If "fluid density" is in kg, then Eq. (3) would be OK, but then rho is a mass, not a density. This needs to be rectified to be consistent and understandable.

The author's reply was:

The reviewer is correct regarding the units of momentum and density. Indeed, Eq. (3) describes momentum flux densities, and I should have been more careful with the terminology here. The references to "momentum" between equations (3) and (4) have now been changed to mention the "momentum flux density", consistent with the terminology used to describe Eq. (1).

While teaching Micrometeorology recently, the author realized a mistake he had made in this regard. The "momentum flux density", being a form of stress (like pressure), has units of $\text{kg m}^{-1} \text{s}^{-2}$. By contrast, eqs. (1) and (3) have units of $\text{kg m}^{-2} \text{s}^{-1}$. This represents momentum per unit volume, which might be termed a momentum density, but is better described in terms of mass flux densities, or simply flux densities of air and water vapour.

As a result of this "old" comment from Reviewer 2 of the ACPD submission, the author has deleted the word "momentum" three times in the text: first, just prior to and describing eq. (1) (now at line 87), and then twice in the sentence following and describing eq. (3) (now at line 294).

Minor changes:

1. Because the text in the 4th paragraph of the introduction is truly supportive of the 3rd paragraph of the introduction, the author has removed the paragraph break and merged these two paragraphs into one.
2. The author has deleted the repeated word "is" in the second line of the Conclusions section.

Con formato: Punto de tabulación: 3.63", Izquierda

Replies to Anonymous Referee #1

General comment

The paper gives a relevant theoretical contribution in the delicate argument of the fluxes of water vapor and other gasses taking place in close vicinity of leaves and other surfaces, where evaporation takes place. This argument was overlooked in the past, leading to some improper simplifications. The paper is well written and organised. I welcome this contribution and I recommend it for publication. I suggest only some minor changes in order to make it more accessible, clear and concise.

The author thanks the referee for this clear endorsement. *This comment requires no change to the manuscript.*

Specific indications

Line 12: The vertical bars indicating processes taking place close to the surface are relatively uncommon and introduced only later in the text. This could reduce the potential readership. I recommend describing the processes by simple words in the abstract (and in the conclusions). The author agrees. *The author has changed the abstract accordingly, and also slightly changed conclusions where such wording was already largely in place (see reply to comment about line 477 below).*

Line 86: ‘. . .are the those properties. . .’ I think the term ‘those’ is unnecessary. The same at line 90. The author agrees. *These unnecessary terms have been deleted.*

In equation 2 the letter **k** could be capital for consistency with ‘K-theory’ (Line 130). The author agrees. *The variable k has been made upper-case in the text (now at lines 117 and 136), in the equation, and also in Table 1.*

Line 139: What is the condition of the water present in the pool at the beginning of the experiment? Only at line 150 it is reported that the pool has zero salt mass. The condition of the water present in the pool at the beginning of the experiment varies as a function of the case scenario. In the first scenario (specified at line 150), it has zero salt mass; in the second scenario (specified at line 181), it is freshwater with salinity equal to that entering from the tube. The author agrees that the original text leaves the reader wondering for too long. *The author has modified the sentence (now at line 145) to say “into the bottom of a pool (Figure 1) of salinity specified according to the two case scenarios defined below”.*

Line 157: The concept that the tube (or better, the liquid present in the tube) is a source of salinity is somewhat repeated. The author feels that such repetition is necessary in order to clarify an important point, namely that after the moment t_{eq} the tube no longer represents a source of salinity, but rather dilutes the pool. *The author has made no changes as a result of this comment.*

Line 170: I would recommend defining early in the text the initial conditions. The same in all case studies presented. This is indeed what has been done. The initial conditions of case scenarios 1 and 2 are specified early in the text (lines 148-152 for case scenario 1; lines 181-184 for case scenario 2). Furthermore, they are presented in italic font, consistent with the words “characteristics of the two 146 case scenarios” at line 146. The points of view regarding (a) salinity (starting at line 154) and (b) thermodynamics (starting at line 170) refer to the same case scenario.

The author appreciates that this was less than clear, and has modified the text (now at line 162) to say that “This first case scenario is of interest from both (a) salt/solute and (b) thermodynamic points of view:”, in order that the reader clearly appreciate that points of view (a) and (b) both refer to the same conditions.

Line 189: ‘. . .volume. . .at a point. . .’, I cannot understand. A point has no volume by definition, at least in geometry. Although a point is infinitesimal and has no volume in geometry, in fluid dynamics it must have a finite size, based on the continuum hypothesis. This allows mathematical specification of both state and flow properties - which only have meaning when averaging very many molecules - and their derivatives. In this context, there is a tradition of writing equations in the constant-volume (Eulerian)

fluid specification to describe the fluid “at a point”. In the manuscript, the quotation marks in the manuscript denote the implicit assumption regarding both the fluid as a continuous medium and the finite volume of the point under consideration.

To make this somewhat more clear to the reader, the author has modified the parenthetical remark – now at line 200 - to say ‘(e.g., “at a point”, in an Eulerian fluid specification)’.

Line 223 and following. Are these four cases, all similar, strictly necessary? A single case study of the size of a leaf (e.g., 1 cm²) would simplify the text. The author feels that the four cases are indeed worth considering, for the simple reason that the derived velocities represent spatial averages that are valid over a variety of scales, the larger of which are of particular interest to meteorologists. However, the manuscript neglected to make this explicit. *As a result, the author has changed the paragraph that begins at 299 to the following:*

The representative evaporation rate prescribed in Table 3 and vertical velocity resulting from eq. (4) are valid for most of the scales defined above. Thus, the boundary condition $w|_0$ is valid for the synoptic scale (notwithstanding vertical motion aloft, such as subsidence), for the micrometeorological scale, and even for the leaf scale. In the context of scale analysis, leaves may be approximated as having equal area as the underlying surface (i.e., a unit leaf area index, or LAI=1), and equal evaporation rates as the surface in general. This latter assumption does not neglect soil evaporation, but only excludes the possibility that it dominate leaf evaporation by an order of magnitude. Thus, it will be assumed here that the assumed evaporation rate and derived vertical velocities are equally valid at synoptic (A), micrometeorological (B), and leaf (C) scales. The order of magnitude is different, however, at the microscopic (D) scale. To show this, it will be assumed here that all leaf evaporation (or transpiration) occurs through the small fraction of the leaf that is stomatal (σ), such that both the stomatal evaporative flux density and the lower boundary condition for the vertical velocity ($w|_0$) are a factor $1/\sigma$ greater than that at larger scales. Independent of scale, Eq. (4) states that, for a positive evaporation rate, the boundary condition for the vertical velocity is non-zero and upward.

Line 404. ‘average air speed exiting a stomatal aperture is 3.1 mm s⁻¹.’ I would find interesting if the author could provide a plot or a table showing how the main physical (pore size) or environmental variables (T? P?) affect this velocity. The roles of such variables in modulating this velocity are quite small in comparison with its near-direct, linear dependence on the evaporation rate, as described by eq. (4). Such dependences do not, in the author’s opinion, merit depiction via a plot or a table. *The author has made no changes as a result of this comment.*

Line 436. ‘described in many chemical engineering texts’. Any references? The author agrees. *The author has added references to three chemical engineering texts here (Kreith et al., 1999; Lienhard and Lienhard, 2000; Bird et al., 2002).*

Line 471: Any more recent references about helox experiments? The author is unaware of more recent references regarding helox experiments, but points out that the Mott and Parkhurst (1991) paper has been cited more than 300 times (Web of Science). *The author has made no changes as a result of this comment.*

Line 483: import->importance(?). *The author has made this proposed change.*

Line 477 and following (Conclusions).I suggest to remove also from here uncommon symbols or to explain them all. More generally, I would still have a question: do the non-diffusive process described in the text have computational or only theoretical/descriptive effects?

The author agreed to explain the symbols in the conclusions section. However, upon revising the conclusions, the author finds that the “uncommon” symbols are already largely explained. The sentence in question states that “the boundary condition for the vertical velocity is $w|_0 = \frac{E}{\rho|_0}$, where $\rho|_0$ is the air density at the surface”. As a result of this comment, the author has added at line 510 the adjective “lower” such that this sentence now reads “the lower boundary condition for the vertical velocity is $w|_0 = \frac{E}{\rho|_0}$, where $\rho|_0$ is the air density at the surface”. In this way, both of the “uncommon” symbols are explained.

Con formato: Fuente: Sin Cursiva

The computation of non-diffusive transport is given by equation (7). This is the amount of transport that should be subtracted from total transport in order to characterize diffusive transport, which is the quantity that is relevant to the derivation of flux-gradient relationships such as the eddy diffusivity and/or stomatal conductance. The purpose of the last three paragraphs of section 3.3 is to compute, for particular gases using representative flux magnitudes and environmental conditions, the magnitudes of these “corrections” to the eddy diffusivity and/or stomatal conductance. *The author has made no changes as a result of this comment about computational/theoretical effects.*

In Figure 2, it could be helpful if the presence of Mercury, and the circumstance that the tube is open to the atmosphere, would be indicated in the design. The author agrees. *The author has modified Figure 2, inserting the information regarding the mercury in the manometer and the fact that the tube is open to the atmosphere.*

Replies to Referee #2 (W. Eugster)

The author is known for his accurate and meticulous assessment of very fundamental aspects of atmospheric physics. In his present paper he addresses an issue that has led to many discussions before and which has not been convincingly solved so far: the magnitude of the vertical motion in the planetary boundary layer near the Earth's surface, a motion that is too small to be accurately measured with present-day state-of-the-art ultrasonic anemometers, but which is still large enough to affect (eddy covariance) flux measurements of trace gases.

So far most scientists would agree that at a certain small height above the solid ground surface, the roughness height $z|_0$ (in Kowalski's notation) the mean horizontal wind speed must be 0 ms^{-1} , and also mean vertical wind speed $w|_0$ should be 0 ms^{-1} , a boundary condition that Kowalski questions on good grounds. He links $w|_0$ directly to the moisture flux density (E). He develops his theory based on the one-dimensional equation

$$w\rho = \sum_{i=1}^N w_i\rho_i. \quad (1)$$

with w_i and ρ_i being the vertical velocity and partial density of gas component i in a gas mixture with N components. Conceptually this is a hydrostatic approach that only allows for expansion in the vertical direction, which may exaggerate the magnitude of vertical velocity w . Hence, in Section 2.3 Kowalski expands to the full 3-d advectiondiffusion concept that should better represent reality.

The author thanks Dr. Eugster for this assessment, which shows that the manuscript has managed to communicate the essence of the theory being developed. *The author has made no changes as a result of this comment.*

My main critique – although I must admit that my own understanding of atmospheric physics is not nearly up to the level of that of Kowalski's – is the following:

1. Kowalski primarily associates the vertical velocity at roughness height $z|_0$ with the evaporative flux E but not with the vertical sensible heat flux H. I would assume that this is only correct for $H = 0 \text{ W m}^{-2}$, but not for any other magnitude of sensible heat flux. In my view a partial gas density expressed as ρ_i in kg m^{-3} has its volume component affected by both sensible and latent heat fluxes – and all other gas component fluxes (which however can be neglected, I agree on this aspect). An explicit treatment of the effect of H would be essential in my view to help the average reader (like myself) better understand the concept and argumentation.

The author disagrees here, and points to his previous publications that address this very issue.

Certainly, it is traditional in micrometeorology to infer a mean velocity in the direction of the sensible heat flux (Webb et al., 1980; "WPL"), as Dr. Eugster asserts. However, Kowalski (2012) showed that this inference is an artefact of imprecise averaging procedures. Perhaps the simplest illustration of the WPL error is given by the scenario visualized in the artless drawing in Figure X below, where turbulent air convection is enclosed within a stationary chamber with an upward heat flux under steady-state conditions.

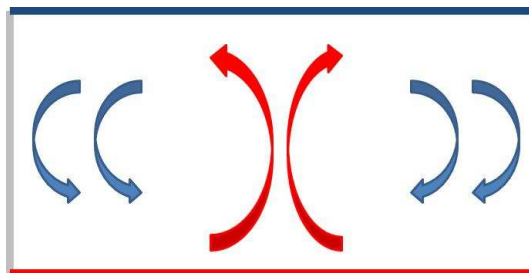


Figure X. A chamber with a heated floor (red), chilled ceiling (blue), and insulated side walls (grey). The inside air is in steady state and turbulent (convective) due to an unstable lapse rate.

The most fundamental definition of the mean velocity of a system is the ratio of its displacement to the time elapsed. For steady-state air confined to a stationary chamber, its displacement over long time periods is clearly zero, and therefore so is the average velocity, notwithstanding WPL predictions of an upward velocity associated with the upward heat flux.

For non-steady-state conditions, average velocities can occur due to expansion/compression of the air layer near a surface boundary. For example, in Figure X, assuming that temperature effects dominate those of pressure in determining air density, there is more air near the cool ceiling than at the hot floor. Thus, eliminating floor heating and ceiling cooling would result in a net downward transport of air. Such effects are treated by Kowalski and Serrano-Ortiz (2008) for a simple scenario, neglecting evaporation's influence on the average velocity, and demonstrating conceptual errors in the WPL velocity. A more general derivation, combining the effects of compressibility and vapor exchanges, is beyond the scope of the current discussion.

The author has made no changes as a result of this comment.

2. In principle the concept and analysis could be expanded to the different isotopes (stable or unstable, but the treatment of unstable isotopes would probably add yet another layer of complexity) of each gas component. At least the coverage of stable isotopes might be helpful in context with “counter-gradient isotope fluxes” that tend to be brought up occasionally.

The author agrees that the concept and analysis could be expanded to the issue of isotope transport, but is ignorant of the phenomenon of “counter-gradient isotope fluxes”. Perhaps Dr. Eugster could provide references for these observations (?). Otherwise, it seems that this issue is beyond the scope of the present manuscript, but could be worthy of future investigation.

The author has made no changes as a result of this comment, but remains interested in learning more about “counter-gradient isotope fluxes”.

3. It would be appreciated to reword some passages where plant physiologists and plant ecologists are non-neutrally qualified as partially ignorant scientists. I must admit that I had a private discussion with Graham Farquhar at a conference in Interlaken more than 10 years ago about “counter-gradient isotope fluxes” and actually had the feeling that it is fruitful in interdisciplinary work to exchange ideas between disciplines, but should not consider ourselves superior to those who start to dig into new terrain (from their perspective) – we tend to leave a similarly bleak trace if we dare to lean outside of our own territory. I think it is the strength of interdisciplinary researchers that they take the risk to be considered a non-savant outside their area of profound expertise, and we should restrain from spreading bad marks to others from other disciplines (this relates mostly to lines 394–395, 410, 415–424).

The author is aware that some readers find his writing style to be offensive, has worked hard to try to correct this problem, and is not surprised to find that it persists. There can be little doubt regarding the benefits of exchanging ideas between disciplines, and any specific recommendations would be very welcome regarding how to reword passages so as to be more neutral.

However, having said that, the author is unwilling to refrain from criticizing theories or procedures that are incorrect. The objective here is not to consider anyone as superior, but rather to discover and defend the truth, and the author has taken great care to do this based solidly on fundamental physical laws. From the author's point of view, Jarman (1974) neglected momentum conservation, erroneously classified the description of Parkinson and Penman (1970) as “incorrect” (twice) or “substantially incorrect” (twice more), and misled an entire community of scientists along a mistaken path for several decades. The key question then is how correct this error and prevent its further propagation.

In an attempt to comply with Dr. Eugster's suggestion and avoid defaming a particular discipline, the author has adopted the following changes

- *Lines 419: delete “,as has been neglected by the discipline of plant physiology, or ecophysiology”;*
- *Line 434: delete “, but broadly neglected in the field of ecophysiology”*
- *Line 447: delete “among plant physiologists”*

4. The conclusions end with a very general take-home message, but since the author puts so much emphasis in his text to educate plant ecologists, it would be beneficial to have a more specific recommendation set for what plant ecologists finally are supposed to do with this new-gained knowledge. This does not explicitly become clear and the paper would benefit by having such explicit, specific recommendations that I and other could easily pick up, understand, and implement in our own calculations.

Unfortunately, the author has not been able to develop a “quick fix”: an algorithm or equation that would immediately correct WUE or c_i by accounting for non-diffusive transport. This therefore falls under the category of future research, and is open to any scientist who may have better ideas about solving these tricky issues. *The author has made no changes as a result of this comment.*

“Minor technical issues”:

L. 86: add “vertical” before velocity

The author has made this change (now line 89).

L. 403: this appears to be the old notation of the previous (internal) version and should now read ($w \downarrow$)

The author has made this change (now line 427). The author found and corrected the same problem in the last paragraph of the discussion (now line 505).

Replies to Anonymous Referee #3

General comments: Vertical velocity has a tiny magnitude near surface and is difficult to measure because its magnitude is usually smaller than errors. However, vertical velocity plays a substantial role in mass and energy exchanges between land and atmosphere. For simplicity, they usually assume it is zero at surface. The author argues that it is non-zero by a “thought experiment”. The author is a theoretical thinker. This paper shines light on this knowledge gap. I recommend it to be published with minor revision.

The author thanks the referee for this endorsement. The *author has made no changes as a result of this comment.*

Specific comments:

(1) 2.1.2 The 0th Law of Thermodynamics – I do believe that this is a case from second law of thermodynamics (Postulate of Clausius, see Thermodynamics by Enrico Fermi, 1936). I don’t think that “The 0th Law of Thermodynamics” is independent from second law of thermodynamics. So I suggest using the second law of thermodynamics instead of the 0th Law so that your statements no matter heat transfer and mass diffusion are govern by the same second law of thermodynamics. Fourier’s law and Fick’s law are empirical relationships between fluxes and gradients. Gradients are drivers for fluxes and consequences of fluxes reduce gradients, following a single irreversible direction (entropy increasing) – equilibrium (entropy maximum) –second law of thermodynamics.

The 1936 textbook cited, although authored by a great physicist, is nonetheless out of date regarding this issue. Modern physics texts (e.g., Giancoli, 1984) recognize that the 1st and 2nd Laws, although definitively stated first, logically depend on the prior assertion of the 0th Law; this explains its odd name. Formalization of the 0th Law occurred in the mid-1930s, but was not broadly accepted until well after the publication of Fermi’s textbook. The *author has made no changes as a result of this comment.*

(2) Vertical velocity at surface is always positive (upward) predicted by the equation (4). Based on your thought experiment, this looks true everywhere (leaves, ground, water surface) including large scale (e.g. synoptic scale). To my knowledge, it is sure that vertical velocity is negative in high pressure system areas and positive in low pressure system areas. Therefore, it is difficult for me to understand the positive vertical velocity predicted by your theory in high pressure system areas or divergent air-flow near surface at any scale. Please clarify the conflict in your revision.

Synoptic-scale velocities are of order 3 cm s^{-1} (e.g., Carlson and Stull, 1986, Subsidence in the nocturnal boundary layer, *J. Clim. Appl. Met.*, **25**, 1088-1099). Whether the boundary condition at the surface is the traditionally conceived $w|_0 = 0 \text{ cm s}^{-1}$, or $0.000031 \text{ cm s}^{-1}$ as derived from eq. (4), synoptic-scale subsidence implies a convergence in the vertical winds between the surface and the height at which it occurs. It seems that there is no conflict that requires clarification. The *author has made no changes as a result of this comment.*

(3) Page 6 second paragraph, It is fine to me with “vertical advection” because it is clearly defined by vertical component It does not need to assume horizontal homogeneity.

The author agrees, and initially proposed simply to delete the last two sentences of this paragraph. However, upon careful reconsideration, the author wishes to finish this paragraph with a statement to clarify a key distinction between advection and diffusion. Therefore, the author has deleted the two sentences at the end of the first paragraph of section 2.3 (and consequentially the Rannik et al., 2009 paper has been removed from the references section), and added a new sentence to finish this paragraph (now at lines 213-214), to say that: “Thus advection, unlike diffusion, is not a form of transport, but rather a consequence of differential transport.”

The boundary condition for the vertical velocity and its interdependence with surface gas exchange

Andrew S. Kowalski^{1,2}

¹Departamento de Física Aplicada, Universidad de Granada, Granada, 18071, Spain

²Instituto Interuniversitario de Investigación del Sistema Tierra en Andalucía, Centro Andaluz de Medio Ambiente (IIISTA -CEAMA), Granada, 18071, Spain

Correspondence to: Andrew S. Kowalski (andyk@ugr.es)

Abstract. The law of conservation of linear momentum is applied to surface gas exchanges, employing scale analysis to diagnose the vertical velocity (w) in the boundary layer. Net upward momentum in the surface layer is forced by evaporation (E) and defines non-zero vertical motion, with a magnitude defined by the ratio of E to the air density, as $w = \frac{E}{\rho}$. This is true even right down at the surface where the

boundary condition is $w|_0 = \frac{E}{\rho|_0}$ (where $w|_0$ and $\rho|_0$ represent the vertical velocity and density of air at

the surface). This Stefan flow velocity implies upward transport of a non-diffusive nature that is a general feature of the troposphere but is of particular importance at the surface, where it assists molecular diffusion with upward gas migration (of H_2O , e.g.) but opposes that of downward-diffusing species like CO_2 during daytime. The definition of flux-gradient relationships (eddy diffusivities) requires rectification to exclude non-diffusive transport, which does not depend on scalar gradients. At the microscopic scale, the role of non-diffusive transport in the process of evaporation from inside a narrow tube – with vapour transport into an overlying, horizontal air stream – was described long ago in classical mechanics, and is routinely accounted for by chemical engineers, but has been neglected by scientists studying stomatal conductance. Correctly accounting for non-diffusive transport through stomata, which can appreciably reduce net CO_2 transport and marginally boost that of water vapour, should improve characterizations of ecosystem and plant functioning.

Eliminado: .

1 Introduction

The vertical velocity (w) is a key variable in the atmospheric sciences, whose precise diagnosis is essential for numerous applications in meteorology. Above the boundary layer, the weather is largely determined by adiabatic adjustments to vertical motion that is slight compared to horizontal winds. Closer to the surface, even a tiny w can result in relevant transport; for example, in a typical boundary layer – with representative temperature ($T = 298K$), pressure ($p = 101325 Pa$), and CO_2 mass fraction (607 mg kg^{-1} ; a molar ratio of about 400 ppm) – just 61 $\mu m s^{-1}$ of average vertical velocity is needed to waft a biologically significant 44 $\mu g CO_2 m^{-2} s^{-1}$ (a CO_2 molar flux density of 1 $\mu mol m^{-2} s^{-1}$). Modern anemometry cannot resolve such miniscule airflow (Lee, 1998), and generally w is immensurable at many scales so that it must be derived from other variables (Holton, 1992). Such diagnostic estimation is traditional in synoptic meteorology, but has been developed less rigorously near the surface boundary.

37

38 The characterization of boundary conditions for state and flow variables, in order to enable atmospheric
39 modelling at larger scales, is a fundamental goal of micrometeorology. Since w is an air velocity, its
40 boundary condition $w|_0$ describes the surface-normal or vertical motion of the gas molecules found
41 closest to the surface (at some height $z|_0$, very nearly but not exactly zero). The Navier-Stokes equations,
42 when applied to the lower atmosphere, are particularly sensitive to the conditions specified at the
43 boundary (Katul et al., 2004), and this lends great importance to $w|_0$ in the context of dynamic modelling.
44 Nevertheless, until now $w|_0$ has received inadequate attention in boundary-layer meteorology.

45

46 Micrometeorologists have made presuppositions regarding $w|_0$ without formal justification and in
47 contradiction to deductions from classical mechanics. The traditional hypothesis about near-surface winds
48 is that they flow parallel to underlying terrain (Kaimal and Finnigan, 1994; Wilczak et al., 2001) and
49 vanish at the surface (Arya, 1988), implying $w|_0 = 0$. This assumption underlies many derivations and
50 abets the prevailing belief that vertical exchanges are accomplished purely by molecular diffusion within
51 a millimeter of the surface (Foken, 2008), or purely by turbulent diffusion at heights of meters or more
52 within the atmospheric boundary layer. However, such a premise is inconsistent with the fact of net
53 surface gas exchange (predominantly evaporative), which implies Stefan flow with a mean velocity
54 component normal to the surface. Net mass transfer across a surface results in a velocity component
55 normal to the surface, and an associated non-diffusive flux in the direction of mass transfer (Kreith et al.,
56 1999). The existence and relevance of Stefan flow – first derived and described in the 19th century – is
57 certain. Indeed, engineers necessarily account for its role in heat and mass transfer (Abramzon and
58 Sirignano, 1989) when precisely controlling industrial processes that include phase change, such as
59 combustion. For these reasons, it is to be expected that a more accurate means of estimating $w|_0$ for the
60 atmospheric boundary layer can be achieved by rigorous examination of known surface flux densities in
61 the light of physical laws.

62

63 The remaining sections of this work aim to diagnose a defensible lower boundary condition for the
64 vertical velocity ($w|_0$) and to interpret its significance. Section 2 presents the theory, and illustrates types
65 of mass transport and heat exchange in fluids via an example from the liquid phase. In Section 3, an
66 analytical framework is established and conservation of linear momentum is applied to derive $w|_0$ from
67 published magnitudes of surface gas exchanges, demonstrating that it is directly proportional to the
68 evaporative flux density (E), consistent with the findings of Stefan. The derived vertical velocity is seen
69 to be relevant in defining the mechanisms of gas transport, which is not accomplished by diffusion alone
70 – even at the surface interface. Section 4 highlights the need to rectify flux-gradient relationships by
71 taking into account the non-diffusive component of transport; this includes boundary-layer similarity
72 theory and physiological descriptions of stomatal conductance. Thus, the implications of these analyses
73 are broad and interdisciplinary.

Eliminado: ¶
¶

76 **2 Theory**

77 The objective of this section is to establish the theoretical bases for the analyses and interpretations that
78 follow. It opens with a list of symbols (Table 1) along with the meaning and S.I. units of each variable
79 represented, and finishes with a summary of the most salient points regarding physical laws and transport
80 mechanisms to be recalled in Section 3.

81 **2.1 Relevant Scientific Laws**

82 **2.1.1 The Law of Conservation of Linear Momentum**

83 The principle of conservation of momentum is most fundamental in physics, more so than even Newton's
84 1st Law (Giancoli, 1984). It defines the momentum of a system of particles as the sum of the momenta of
85 the individual components, and establishes that this quantity is conserved in the absence of a net external
86 force. Accordingly, in atmospheric dynamics (Finnigan, 2009) a system may be defined as the N
87 component gas species comprising a particular mass of air, with a net vertical flux density of

Eliminado: momentum

88 $w\rho = \sum_{i=1}^N w_i\rho_i.$ (1)

89 In Eq. (1), w and ρ represent the vertical velocity and density of air, respectively, while w_i and ρ_i are the
90 properties of component i , whose species flux density is $w_i\rho_i$. For this species i , total transport $w_i\rho_i$ can
91 be attributed to mechanisms that are diffusive (if $w_i \neq w$), non-diffusive (if $w = 0$), or more generally a
92 combination of these two types of transport. Dividing Eq. (1) by the net air density defines the system's
93 vertical velocity as a weighted average of its components (Kowalski, 2012), where the weighting factors
94 are the species' densities.

Eliminado: those

Eliminado: those of

95 **2.1.2 The 0th Law of Thermodynamics**

96 The 0th Law establishes the temperature as the variable whose differences determine the possibility for
97 heat exchange between thermodynamic systems. For two systems in thermal contact, if they have the
98 same temperature then they are in thermodynamic equilibrium and therefore exchange no heat. If their
99 temperatures differ, then heat will be transferred from the system with the higher temperature to that with
100 the lower temperature. Heat transfer by molecular conduction depends on gradients in the temperature; in
101 compressible fluids like air, however, turbulent diffusion can occur without thermal contact and yet bring
102 about heat transfer as determined by gradients in the potential temperature (Kowalski and Argüeso,
103 2011), accounting for any work done/received during the expansion/compression associated with vertical
104 motions.

105 **2.1.3 Fick's 1st Law of Diffusion**

106 Molecular diffusion has no effect on the net fluid momentum, but "randomly" redistributes fluid
107 components and can cause different species to migrate in different directions, according to component
108 scalar gradients. Regrettably, scientific literature contains inconsistencies regarding the scalar whose
109 gradient determines diffusion in the gas phase (Kowalski and Argüeso, 2011). The proper form of Fick's
110 1st Law for diffusion in the vertical direction is

114 $F_{i,M} = -\rho K \frac{\partial f_i}{\partial z},$ (2)

Eliminado: k

115 where $F_{i,M}$ is the vertical flux density of species i due to molecular diffusion, which is proportional to the
116 vertical gradient in that species' mass fraction (f_i ; Bird et al. (2002)), and z is height. Also relevant are the
117 fluid density (ρ) and molecular diffusivity (K). However, ρ must not be included in the derivative in Eq.
118 (2), unless for the trivial case where it is constant (as in an incompressible fluid); in compressible media,
119 gradients in gas density can arise, with no direct relevance to diffusion, due to gradients in pressure or
120 temperature as described by the Ideal Gas Law. It is relevant to note that Adolf Fick arrived at this law,
121 not by experimentation, but rather by analogy with Fourier's law for heat conduction (Bird et al., 2002).
122 By the same analogy, the product of the diffusivity with the scalar gradient in Eq. (2) yields a kinematic
123 flux, which requires multiplication by the fluid density in order to yield the flux density of interest.

Eliminado: k

124
125 Fluxes due to molecular diffusion are referenced to the motion of the fluid's centre of mass, or "mixture
126 velocity" (Bird et al., 2002). The simplest example to describe this is that of binary diffusion where only
127 two species compose the fluid, as in the traditional meteorological breakdown of air into components
128 known as dry air and water vapour. In the case of "static diffusion", the fluid velocity is zero and the mass
129 flux of one gas species (water vapour) counterbalances that of the other (dry air). When diffusion occurs
130 in a dynamic fluid (non-zero velocity), then overall transport must be characterized as the sum of
131 diffusive and non-diffusive components.

132
133 Turbulent diffusion is analogous to molecular diffusion in the sense that fluid components are randomly
134 redistributed, with different species migrating as a function of gradients in their mass fractions. The
135 primary difference is that eddies rather than molecular motions are responsible for mixing, and the eddy
136 diffusivity (the value of K in Eq. (2), describing "K-theory" (Stull, 1988)) is a property of the flow rather
137 than the fluid. The Reynolds number describes the relative importance of molecular and turbulent
138 diffusion, which are otherwise indistinct with respect to the analyses that follow, and will simply be
139 grouped and referred to as "diffusive transport".

Eliminado: k

141 2.2 Transport processes

142 In this section, two case studies from the liquid phase will help identify and define non-diffusive and
143 diffusive types of transport, as well as their scalar source/sink determinants. Let us consider the case of
144 freshwater ($35 \cdot 10^{-5}$ mass fraction of salt) with constant temperature and composition flowing through a
145 tube into the bottom of a pool (Figure 1) of salinity specified according to the two case scenarios defined
146 below. Considering only flow within the tube (at point 1), whether laminar or turbulent, it clearly realizes
147 non-diffusive transport of salt, since the salt has no particular behaviour with respect to the fluid, but
148 simply goes with the flow. There are no scalar gradients within the tube, and so there is neither diffusion
149 nor advection. Let us now describe diffusive transport processes within the pool (at point 2), and the
150 nature (whether absolute or relative) of the relevant fluid properties whose gradients determine them by
151 defining sources/sinks, using two illustrative case scenarios.

152

156 The temperature is constant in time and space, but other *characteristics of the two case scenarios* are
 157 chosen to elucidate the relationship between diffusive transport processes and scalar gradients:

158 1) *Due to surface evaporation that balances the mass input from the tube, the pool mass is constant; the*
 159 *water is maintained isothermal by surface heating that supplies the (latent) energy for evaporation.*
 160 *Initially (t_0) the pool has zero salt mass, but salinity increases constantly, equalling that of the tube*
 161 *water at some moment (t_{eq}) and rising by another two orders of magnitude to reach that of sea water*
 162 *($35 \cdot 10^{-3}$) by the end of the scenario (t_f). This case is of interest from both [\(a\)](#) salt/solute and [\(b\)](#)*
 163 *thermodynamic points of view:*

164 a) In solute terms, the tube represents a source of (absolute) salt to the pool, but not always of
 165 (relative) salinity. Initially (t_0), the water from the tube is more saline than that in the pool, such
 166 that non-diffusive and diffusive transport processes operate in tandem to transport salt from the
 167 tube upward into the pool; at this moment, the tube is a source of salinity. Salinity advection,
 168 defined as the negative of the inner product of two vectors (the velocity with the salinity
 169 gradient, with opposite signs), is then positive. Ultimately however (at $t > t_{eq}$), the water in the
 170 pool is more saline than that entering from the tube, such that non-diffusive and diffusive salt
 171 transport are in opposite directions; then the tube dilutes the pool and is a salinity sink, but still a
 172 salt source. Salinity advection at t_f is negative. The pool continues to gain salinity after t_{eq} ,
 173 despite the diluting effects of the tube, due to the concentrating effects of evaporation, which is
 174 the ultimate source of salinity. This distinction matters because the gradients that drive advection
 175 and diffusion are those in salinity, a relative (not absolute) salt measure. At t_f , the diffusive
 176 salinity fluxes are oriented against the flow within the pool (downward, and radially inward
 177 towards the diluting tube, despite its being a net salt source). By contrast, non-diffusive transport
 178 always goes with the flow, and accounts for continued upward and outward salt transport,
 179 increasing the salt content at the surface.

180 b) Although thermodynamically trivial – with no heat exchanges whatsoever within the water as
 181 determined by the 0th Law – this case nonetheless illustrates the nature of the scalars that
 182 determine heat transfer by advection and diffusion (conduction). The “heat content” of the pool
 183 decreases as it becomes more and more saline, due to the inferior heat capacity of saltwater
 184 versus freshwater. Similarly, salt diffusion/advection is initially upward/positive but ultimately
 185 downward/negative, yet the corresponding implications regarding heat content fluxes say
 186 nothing about the transfer of heat. The point here is that the dynamics of the heat content must
 187 not be interpreted in terms of heat fluxes, which was done by Finnigan et al. (2003). For this
 188 reason, meteorologists correctly define “temperature advection” (Holton, 1992) based the
 189 thermodynamic relevance of gradients in the variable singled out by the 0th Law.

190

191 2) *Let us now specify that the water in the pool has the same (freshwater) salinity as that coming from*
 192 *the tube ($35 \cdot 10^{-5}$). If we furthermore remove both surface evaporation and heating from scenario (1),*
 193 *then the temperature remains constant and the salinity corresponds uniformly to that of freshwater,*
 194 *but the pool accumulates mass. In this case, there are convergences in the non-diffusive transports of*
 195 *water, salt, and heat content: fluxes into the pool are positive, while fluxes out are null. However,*

196 there are no gradients in temperature or salinity, and so there is neither diffusion nor advection in this
197 scenario. The pool does gain volume (depth) but this is only because the fluid under consideration is
198 incompressible. By contrast, for the gas phase, accumulation of absolute quantities – such as air and
199 trace constituent mass, and heat content – can occur in a constant volume context (e.g., “at a point”
200 in an Eulerian fluid specification) due to convergent, non-diffusive transport that defines
201 compression. In the pool, diffusion and advection are clearly null because they are determined by
202 gradients in the relative trace gas amount – the mass fraction –, a variable of essential utility for the
203 gas phase because it is immune to the effects of compression.
204

205 2.3 An advection-diffusion synopsis

206 The analyses that follow rely on the succeeding key points drawn from sections 2.1 and 2.2. Advection
207 and diffusion depend on gradients in scalars whose nature is relative rather than absolute. In
208 incompressible thermodynamics, the relevant gradients are those in the temperature, and not the heat
209 content. For trace constituents, the relevant scalar is the mass fraction (e.g., salinity) and not the species
210 density. Advection and diffusion are otherwise physically very distinct. Like non-diffusive transport,
211 diffusion is a vector whose vertical component is of particular interest in the context of surface-
212 atmosphere exchange. By contrast, advection is a scalar; for some arbitrary quantity ξ , it is defined as the
213 negative of the inner product $\mathbf{v} \cdot \nabla \xi$, where \mathbf{v} is the fluid velocity and ∇ is the gradient operator. Thus
214 advection, unlike diffusion, is not a form of transport, but rather a consequence of differential transport,
215

216 The scenarios depicted above correspond to the incompressible case (liquid). When the effects of
217 compressibility are irrelevant, it can be convenient to add the incompressible form of the continuity
218 equation ($\nabla \cdot \mathbf{v} = 0$) to advection yielding $-\nabla \cdot \xi \mathbf{v}$, the convergence of a kinematic flux. This is called the
219 “flux form” of advection. For a compressible medium such as the atmosphere, however, if ξ is taken to
220 represent some “absolute fluid property such as the (gas) density” (Finnigan et al., 2003), then the
221 transformation of advection into flux form cannot be justified (Kowalski and Argüeso, 2011), since using
222 the incompressible form of the continuity equation leads to unacceptable errors in conservation equations
223 for boundary-layer control volumes (Kowalski and Serrano-Ortiz, 2007). By contrast, the expression of
224 advection in flux form can be valid if the scalar ξ is carefully chosen for its immunity to the effects of
225 compression, as is the case for the mass fraction. These generalizations regarding the nature of transport
226 by non-diffusive and diffusive mechanisms, and also the nature of advection, will now be applied to the
227 case of vertical transport very near the surface and the mechanisms that participate in surface exchange,
228 after first deriving the boundary condition $w|_0$.

229 3 Analysis

230 3.1 Framework

231 The analysis will focus on a system defined as a mixture of gas molecules of different species, whose
232 momentum will be examined. The system’s mass is defined (Table 2) by gas components in a ratio that

Eliminado: To be clear, it can make sense to speak of “upward diffusion”, but certainly not “upward advection”. The tendency, in the science of surface-atmosphere exchange, to speak of “vertical advection” (e.g., Rannik et al., 2009) is intimately related to an assumption of horizontal homogeneity, precluding horizontal scalar gradients particularly in the direction of the mean wind.

243 corresponds quite closely to that of the atmosphere (Wallace and Hobbs, 2006) but updated to more
244 closely reflect actual atmospheric composition. At a representative ambient temperature ($T = 298$ K) and
245 pressure ($p = 101325$ Pa), the many millions of molecules forming this system occupy a volume of 10^{-15}
246 m^3 with 70% relative humidity. The system geometry will be specified in four different ways, according
247 to the different spatial scales for which $w|_0$ is to be described:

- 248 A. At the synoptic scale, the volume occupied by the system is a lamina of depth $\delta z \sim 10^{-27}$ m,
249 bounded above and below by constant geopotential surfaces, with horizontal dimensions (Δx and
250 Δy) on the order of 10^6 m. The fact that δz is thinner than the dimension of a molecule matters
251 not at all when classifying any and all molecules whose centres of mass (points, with neither size
252 nor dimension) occupy the lamina as belonging to the volume;
- 253 B. At the micrometeorological scale, the volume overlies a flat surface and is shaped as a
254 rectangular lamina of depth $\delta z \sim 10^{-21}$ m, with horizontal dimensions (Δx and Δy) of 10^3 m;
- 255 C. At the leaf scale, the volume is a rectangular lamina of depth $\delta z \sim 10^{-11}$ m, with horizontal
256 dimensions (Δx and Δy) of 10^{-2} m; and
- 257 D. At the microscopic scale of plant stomata, the volume is a cube with $\Delta x = \Delta y = \delta z = 10^{-5}$ m. For
258 the purpose of transitioning between the leaf and microscopic scales, plant pores are assumed to
259 occupy a stomatal fraction σ of the leaf surface and yet accomplish all gas exchange, with the
260 remaining fraction $(1-\sigma)$ occupied by a cuticular surface whose gas exchange is assumed to be
261 null (Jones, 1983).

262 Independent of scale, the base height $z|_0$ of the volume is the lowest for which only air – and neither
263 ocean wave nor land surface element – occupies the volume. The land/ocean/leaf surface will be assumed
264 to be static (i.e., its vertical velocity is zero), impenetrable to the wind (explicitly neglecting ventilation of
265 air-filled pore space), smooth, level and uniform, all for the sake of simplicity. The temporal framework
266 for the analysis is instantaneous, with no need to choose between Eulerian and Lagrangian fluid
267 specifications.

268

269 The direction of momentum transport to be examined is vertical, meaning perpendicular to constant
270 geopotential surfaces and therefore to the underlying surface. At the stomatal scale, the stoma to be
271 examined is situated on the upper side of a flat, horizontal leaf; water vapour exiting the stomatal aperture
272 during transpiration therefore has a positive vertical velocity. These analyses can be generalized to
273 sloping surfaces and/or stomata on the underside of leaves, simply by referring to the “surface-normal”
274 rather than “vertical” velocity. Hereinafter, however, the term “vertical” will be employed for
275 conciseness.

276

277 **3.2 The vertical velocity at the surface boundary**

278 Knowledge regarding surface exchange (gas flux densities) has advanced to the point where the boundary
279 condition for the vertical velocity ($w|_0$) can be estimated from conservation of linear momentum –
280 applying Eq. (1) to the system defined in Table 2 –, and vastly simplified to a simple function of the
281 evaporation rate (E). The species flux densities ($w_i \rho_i$) within the system represent the surface exchanges

282 of the corresponding gas species (i). Scale analysis of surface gas exchange magnitudes, published from
 283 investigations at a particularly well-equipped forest site in Finland (Table 3), reveals that for the water
 284 vapour species ($i=4$), the flux density ($E = w_4 \rho_4$) is orders of magnitude larger than both the flux density
 285 of any dry air component species and even the net flux density of dry air. Such dominance by water
 286 vapour exchanges is representative of most surfaces worldwide. This is especially so because the two
 287 largest dry air component fluxes are opposed, with photosynthetic/respiratory CO_2 uptake/emission
 288 largely offset by O_2 emission/uptake (Gu, 2013). Hence, following tradition in micrometeorology (Webb
 289 et al., 1980), dry air exchange can be neglected, allowing the elimination from Eq. (1), when applied at
 290 the surface, of all species flux densities except for that of water vapour (H_2O ; $i=4$). Therefore, net air
 291 transfer across the surface can be approximated very accurately as

$$292 \quad w|_0 \rho|_0 = w_4|_0 \rho_4|_0 = E, \quad (3)$$

293 where $w_4|_0$ and $\rho_4|_0$ are the H_2O species velocity and density at the surface. Equation (3) states that, at
 294 the surface, the net vertical flux density of air is equal to the net vertical flux density of water vapour,
 295 which is the evaporation rate. Solving this for $w|_0$ allows estimation of the lower boundary condition for
 296 the vertical velocity as

$$297 \quad w|_0 = \frac{E}{\rho_4|_0}. \quad (4)$$

298
 299 The representative evaporation rate prescribed in Table 3 and vertical velocity resulting from eq. (4) are
 300 valid for most of the scales defined above. Thus, the boundary condition $w|_0$ is valid for the synoptic
 301 scale (notwithstanding vertical motion aloft, such as subsidence), for the micrometeorological scale, and
 302 even for the leaf scale. In the context of scale analysis, leaves may be approximated as having equal area
 303 as the underlying surface (i.e., a unit leaf area index, or $\text{LAI}=1$), and equal evaporation rates as the surface
 304 in general. This latter assumption does not neglect soil evaporation, but only excludes the possibility that
 305 it dominate leaf evaporation by an order of magnitude. Thus, it will be assumed here that the assumed
 306 evaporation rate and derived vertical velocities are equally valid at synoptic (A), micrometeorological
 307 (B), and leaf (C) scales. The order of magnitude is different, however, at the microscopic (D) scale. To
 308 show this, it will be assumed here that all leaf evaporation (or transpiration) occurs through the small
 309 fraction of the leaf that is stomatal (σ), such that both the stomatal evaporative flux density and the lower
 310 boundary condition for the vertical velocity ($w|_0$) are a factor $1/\sigma$ greater than that at larger scales.
 311 Independent of scale, Eq. (4) states that, for a positive evaporation rate, the boundary condition for the
 312 vertical velocity is non-zero and upward.

313
 314 Given that the surface boundary is static, it may well be asked why there is a non-zero boundary condition
 315 for the vertical velocity of air. The answer is that evaporation induces a pressure gradient force that
 316 pushes air away from the surface. Evaporation into air increments the water vapour pressure and thereby
 317 the total pressure, according to Dalton's law. If evaporation were to proceed until achieving equilibrium,
 318 the pressure added by evaporation would correspond to the saturation vapour pressure (e_s ; Figure 2),
 319 whose temperature dependency has been quantified empirically and is described by the Clausius-

Eliminado: momentum

Eliminado: momentum

Eliminado: is

Eliminado: H

Eliminado: for

325 Clapeyron relation. It is this evaporation-induced pressure gradient force that pushes the manometer in
326 Fig. 2 to its new position, and similarly that drives winds away from the surface.

327

328 Although this upward air propulsion occurs at the surface, air velocities are generally upward throughout
329 the boundary layer in a climatological context. Indeed, the dominant role of water vapour in determining
330 the net vertical momentum of air is a general feature of the troposphere. In the context of the
331 hydrological cycle, water vapour is transported from the surface where it has an evaporative source, to
332 further aloft where clouds develop via processes that act as water vapour sinks: condensation and vapour
333 deposition onto ice crystals (or ice nuclei). In terms of total water, upward transport in the gas phase is
334 offset, over the long term, by downward transport in liquid and solid phases (e.g., rain and snow); unlike
335 the water vapour flux, however, precipitation does not directly define air motion. It is true that downward
336 water vapour transport occurs during dewfall – with surface condensation, as described by Eq. (4) with a
337 negative evaporation rate ($E < 0$) –, but this plays a minor role in the global water balance. Generally, the
338 relative magnitudes of gas exchanges used for the scale analysis in Table 3 are representative throughout
339 most of the troposphere, with upward water vapour flux densities dominating those of other gases in the
340 vertical direction. In the surface layer, sometimes termed the “constant flux layer” (Dyer and Hicks,
341 1970), Eq. (4) can be extrapolated away from the surface under steady-state conditions to yield

342
$$w = \frac{E}{\rho} . \tag{5}$$

343

344 **3.3 Mechanisms of gas transport at the surface**

345 Non-zero vertical momentum in the lower atmosphere and right at the surface boundary – dominated by
346 the flux density of water vapour and generally upward due to evaporation – means that diffusion is not the
347 lone relevant transport mechanism that participates in surface exchange, as has been generally supposed.
348 This is true for all atmospheric constituents, and not only for water vapour; over an evaporating surface,
349 any molecule undergoing collisions with its neighbours does not experience a random walk (a
350 characteristic of static diffusion), but rather tends to be swept upward with the flow. The upward air
351 current similarly wafts aerosol particles, although these may move downwards if their fall velocities
352 exceed the upward air motion. The upward flow velocity is rather small – just $31 \mu\text{m s}^{-1}$ for the conditions
353 specified above and the evaporation rate of Table 3, according to Eqs. (4) and (5). It does not exclude the
354 possibility of diffusive transport in any direction, but does imply a relevant, non-diffusive component of
355 transport for any gas, whose magnitude is not related to that gas’s scalar gradient.

356

357 The non-diffusive flux density of species i can be expressed as

358
$$F_{i,non} = w\rho_i , \tag{6}$$

359 and when substituting for w from Eq. (5) this becomes

360
$$F_{i,non} = E f_i , \tag{7}$$

361 i.e., the product of the evaporation rate and the species mass fraction. Examination of its magnitude near
362 the surface for different gases will now show that, while this is often small in comparison with the
363 diffusive component, it is not negligible in every case, depending on the magnitudes of the mass fraction
364 and surface exchange for the gas considered.

365

366 Interpreting decomposed transport is simplest when examining a gas whose surface exchange is very well
367 known, such as the null value for inert Argon (Ar) that constitutes ca. 1.3% of dry atmospheric mass
368 (Wallace and Hobbs, 2006). Considering the state variables defined by Table 2 and the evaporation rate
369 of Table 3, Eq. (7) indicates $458 \mu\text{g m}^{-2} \text{ s}^{-1}$ (a molar flux density of $11.6 \mu\text{mol m}^{-2} \text{ s}^{-1}$) of upward, non-
370 diffusive Ar transport ($F_{3,\text{non}}$). To comprehend this, it helps to recall that the constant addition of H₂O
371 dilutes dry air at the surface and promotes its downward diffusion. For a null net flux of inert Ar to exist,
372 downward diffusion of this dry air component must exactly cancel the upward non-diffusive transport,
373 and therefore is $458 \mu\text{g m}^{-2} \text{ s}^{-1}$ for the state and evaporative conditions specified above. These opposing
374 non-diffusive and diffusive Ar transport processes are quite analogous to case scenario 1 of Section 2.2, at
375 the instant t_f when the fluid emitted into the pool has a diluting effect. Such dual transport mechanisms
376 are also relevant for vital gases, with different transport directions and degrees of relevance, depending on
377 the density and flux density of the gas in question.

378

379 For H₂O, the two types of gas transport mechanisms operate in tandem, with the non-diffusive component
380 contributing a fraction of upward H₂O transport that, according to Eq. (7), is exactly the water vapour
381 mass fraction or specific humidity (Wallace and Hobbs, 2006)

$$382 \quad q \equiv f_4 \equiv \frac{\rho_4}{\rho}. \quad (8)$$

383 This is just 2% for the state conditions previously specified, but can approach 5% for very warm
384 evaporating surfaces and/or high-altitude environments. The breakdown of H₂O transport into diffusive
385 and non-diffusive components is analogous to case scenario 1 of Section 2.2 at an instant prior to t_{eq} when
386 the fluid introduced to the pool is highly concentrated, in comparison with the fluid already in the pool. In
387 any case, non-diffusive H₂O transport is generally secondary to diffusive transport, but its neglect in an
388 ecophysiological context can lead to larger relative errors, as will be shown in Section 4.

389

390 For CO₂, which usually migrates downward during evaporative conditions because of photosynthetic
391 uptake, upward transport of a non-diffusive nature is even more relevant, opposing the downward flux
392 due to diffusion. To see this, let us examine the typical gas transport magnitudes of Table 2 and the
393 atmospheric state conditions specified above. According to Eq. (7), non-diffusive CO₂ transport ($F_{5,\text{non}}$) is
394 then $21.5 \mu\text{g m}^{-2} \text{ s}^{-1}$ (a molar flux density of $0.49 \mu\text{mol m}^{-2} \text{ s}^{-1}$) in the upward direction, requiring that
395 downward CO₂ diffusion be $109.5 \mu\text{g m}^{-2} \text{ s}^{-1}$ in order to yield $88 \mu\text{g m}^{-2} \text{ s}^{-1}$ of net surface uptake; if not
396 accounting for the non-diffusive resistance to net transport, the CO₂ diffusivity would be underestimated
397 by ca. 20%. The case of CO₂ uptake is not analogous to any pool/tube scenario in Figure 1. However,
398 different conditions with equal evaporation ($E = 36 \text{ mg m}^{-2} \text{ s}^{-1}$) and CO₂ emission in the amount of 21.5
399 $\mu\text{g m}^{-2} \text{ s}^{-1}$ (by respiration, for example) would correspond to the case of zero CO₂ diffusion (as at the

400 instant t_{eq}), since the CO₂ mass fractions of both the atmosphere and the gas mixture emitted by the
401 surface are identical. Viewed in the traditional diffusion-only paradigm, such a situation involving a net
402 flux but no gradient ($F_3 = F_{3,non}$) would require a physically absurd infinite diffusivity. At this same
403 evaporation rate, but with lower CO₂ emission, diffusion of CO₂ would be downward, towards the surface
404 which is a source of CO₂ but a sink of the CO₂ mass fraction (analogous to salinity in case scenario 1 of
405 Section 2.2 at some instant between t_{eq} and t_f when the fluid emitted to the pool has a diluting effect).
406 Whatever the direction of net CO₂ transport, these case examples demonstrate the need for sometimes
407 substantial rectifications to flux-gradient relationships – whether expressed as a conductance, resistance,
408 deposition velocity, or eddy diffusivity (K-theory), – when correctly accounting for non-diffusive
409 transport.

410 4 Discussion

411 Relevant transport of a non-diffusive nature implies the need to revise the basis of flux-gradient theory,
412 both in the boundary layer and also at smaller scales regarding gas transfer through plant pores. One of
413 the key goals of micrometeorology has been the derivation of the vertical transports of mass, heat, and
414 momentum from profiles of wind speeds and scalar variables in the boundary layer (Businger et al.,
415 1971). The analyses above elucidate how gradients relate to only the diffusive components of such
416 exchanges. Therefore, non-diffusive flux components must be subtracted out in order to characterize
417 turbulent transport in terms of eddy diffusivities, a key goal of Monin-Obukhov Similarity Theory
418 (Obukhov, 1971). Perhaps more important is the need to distinguish between non-diffusive and diffusive
419 transport mechanisms prior to assessing molecular diffusivities (conductances).

420
421 When Eq. (3) is applied at the stomatal apertures where virtually all plant gas exchanges occur, it is
422 revealed that jets of air escape from these pores during transpiration. In the context of the scale analysis
423 begun in Section 3.2, it is appropriate to note that even fully open stomata occupy just 1% of leaf area
424 (Jones, 1983), leaving 99% cuticular and inert with regard to vital gas exchanges ($\sigma = 0.01$). As noted in
425 Section 3.2, this means that for the microscopic scale (D ; Section 3.1) of the stomatal aperture, both the
426 local evaporative flux density (E) and therefore the lower boundary condition for the vertical velocity
427 ($w|_0$) predicted by Eq. (4) are two orders of magnitude greater than the $31 \mu\text{m s}^{-1}$ estimated above. In
428 other words, a typical average airspeed exiting a stomatal aperture is 3.1 mm s^{-1} . For non-turbulent flow
429 through a cylindrical tube/aperture (i.e., Poiseuille flow), the velocity at the core of such an air current is
430 twice as large. If a characteristic time scale is defined for air blowing through stomata as the ratio of a
431 typical stomatal aperture diameter (ca. $6 \mu\text{m}$) to this core velocity, it is found to be of order 10 ms,
432 illustrating that air is expelled from plants in the form of “stomatal jets”. Non-diffusive gas transport by
433 such airflow exiting stomata – assisting with water vapour egress but inhibiting CO₂ ingress – has been
434 previously conceived.

435
436 The concept of net motion and consequent non-diffusive transport out of stomata is not new, but has been
437 disregarded by plant ecologists. Parkinson and Penman (1970) put forth that the massive water vapour

Eliminado: , as has been neglected by the discipline of plant physiology, or ecophysiology

Eliminado: $[w]_0$

Eliminado: , but broadly neglected in the field of ecophysiology

Eliminado: among plant physiologists

444 flux from transpiration implies an outbound air current as a background against which diffusion operates.
445 Regrettably, however, their interpretation has largely been forgotten, having been refuted in an analysis
446 (Jarman, 1974) that incorrectly assumed “no net flow of air” – disregarding conservation of momentum –
447 and yet seems to have gained acceptance (von Caemmerer and Farquhar, 1981). Similarly, Leuning
448 (1983) recognized the relevance of non-diffusive transport and furthermore identified excess pressure
449 inside the stomatal cavity as the impetus for the outward airstream (which he termed “viscous flow”), but
450 had little impact on the mainstream characterization of stomatal conductance. Rather, important aspects
451 of ecophysiology continue to hinge upon the assumption that diffusion alone transports vital gases
452 through plant pores, disregarding both the above-mentioned studies and more importantly the fact that gas
453 transport mechanisms through such apertures were accurately described by one of the great physicists of
454 the 19th century.

455

456 Because Josef Stefan helped substantially to establish the fundamentals of classical physics, his name is
457 often mentioned in the same breath as those of Boltzmann (regarding blackbody radiation) and Maxwell
458 (for diffusion). However, his work in the latter regard has been broadly ignored by scientists studying gas
459 exchanges through plant stomata. Stefan's study of evaporation from the interior of a narrow, vertical
460 cylinder with vapour transport into an overlying, horizontal stream of air is of particular relevance to the
461 discipline of ecophysiology. He determined that this is not a problem of “static diffusion”, but rather
462 includes an element of non-diffusive transport due to a mean velocity in the direction of the vapour flux,
463 induced by evaporation and now commonly known as Stefan flow. Engineers know this history, refer to
464 such a scenario as a Stefan tube (Lienhard and Lienhard, 2000), and routinely reckon transport by Stefan
465 flow in addition to that caused by diffusion. Such accounting is necessary for precise control in industrial
466 applications such as combustion, and is described in many chemical engineering texts (Kreith et al., 1999;
467 Lienhard and Lienhard, 2000; Bird et al., 2002). The phenomenon of transpiration through a stoma is a
468 reasonable proxy for a Stefan tube, the main difference being that evaporation in the Stefan tube depletes
469 the pool of evaporating liquid, whose surface therefore recedes downward. By contrast, the evaporating
470 water in the stomatal cavity is continually replenished by vascular flow from within the plant; if anything,
471 this reinforces the magnitude of the upward vertical air velocity, in comparison with the Stefan tube,
472 consistent with that derived from momentum conservation as in Eqs. (4) and (5).

473

474 Non-diffusive transport by Stefan flow has implications for defining key physiological parameters,
475 greater than the percentages of CO₂ and water vapour transport calculated above. Plant physiologists have
476 postulated that stomata act to maximise the ratio of carbon gain to water loss (Cowan and Farquhar,
477 1977) or water use efficiency (WUE), an ecosystem trait that constrains global biogeochemical cycles
478 (Keenan et al., 2013). In formulating this parameter, presuming molecular diffusion to be the lone
479 transport mechanism, the water vapour conductance is usually taken as 1.6 times that of CO₂ (Beer et al.,
480 2009), based on the ratio of their diffusivities – the inverse of the square root of the ratio of their
481 molecular masses, according to Graham's law. Such an assumption underlies the very concept of stomatal
482 control (Jones, 1983), but neglects the role of non-diffusive transport for both gases. Net momentum
483 exiting stomata both expedites water vapour egress and retards CO₂ ingress, versus the case of static

485 diffusion, in each case acting to reduce the WUE. Importantly, water vapour transport by stomatal jets
486 depends not only on physiology but also physically on the state variable q , according to Eq. (8).
487 Consistent with the determinants of q , as the temperature of a (saturated) stomatal environment increases,
488 even for a constant stomatal aperture, the WUE is reduced, wresting some control over gas exchange rates
489 from the plant. Perhaps equally importantly, opposition to CO_2 uptake by stomatal jets also should be
490 considered when modelling the most fundamental of biological processes, namely photosynthesis.

491

492 Accurate modelling of primary production in plants may require a fuller description of stomatal transport
493 mechanisms, including non-diffusive expulsion by jets. The partial pressure of CO_2 inside the stomata is a
494 key input parameter for the classic photosynthesis model (Farquhar et al., 1980), but is never directly
495 measured. Rather, it must be inferred from gas exchange measurements and assumptions about the
496 relative conductance of water vapour and CO_2 , as described above. The amendment of such calculations
497 to account for non-diffusive transport of both CO_2 and H_2O should help to improve the accuracy of
498 physiological models.

499

500 As a final note regarding ecophysiology, studies of plant functioning conducted using alternative gas
501 environments should be interpreted with care. Stomatal responses to humidity variations have been
502 studied in several plant species using the $\text{He}:\text{O}_2$ gas mixture termed “helox” (Mott and Parkhurst, 1991).
503 In the context of conservation of linear momentum, it is relevant that the effective molecular weight of
504 helox is just 29% that of dry air. Under equal conditions of temperature and pressure, helox has far less
505 density, and so during transpiration both $w|_0$ from Eq. (4) and the non-diffusive component of stomatal
506 transport from Eq. (7) are 3.5 times greater than in air. The validity of helox for characterizing natural
507 plant functioning is thus dubious due to its low inertia versus that of air.

Eliminado: $[w]_0$

508 Conclusions

509 Evaporation (E) is the dominant surface gas exchange, and forces net upward momentum in the surface
510 layer such that the lower boundary condition for the vertical velocity is $w|_0 = \frac{E}{\rho|_0}$, where $\rho|_0$ is the air
511 density at the surface. This non-zero vertical velocity describes Stefan flow and implies gas exchange of a
512 non-diffusive nature, which must be extracted from the net transport of any gas prior to relating that gas’s
513 resultant diffusive transport component to scalar gradients, as in Monin-Obukhov Similarity Theory. Such
514 correction of flux-gradient theory is of particular import for descriptions of gas exchange through plant
515 stomata, which should be amended to account for non-diffusive transport by “stomatal jets” that help
516 expel water vapour but hinder the ingress of CO_2 .

Eliminado: is

517 Acknowledgements

518 This work is dedicated, with fondness and great esteem, to the memory of Ray Leuning whose insights
519 led to substantive improvements both in this work and broadly in the science of surface gas exchanges.
520 Investigation into this matter was funded by Spanish national project GEISpain (CGL2014-52838-C2-1-
521 R). The author thanks P. Serrano-Ortiz, E. P. Sánchez-Cañete, O. Pérez-Priego, S. Chamizo, A. López-

524 Ballesteros, R.L. Scott, J. Pérez-Quezada and anonymous reviewers for bibliographical guidance,
525 comments and criticisms that helped to clarify the manuscript.
526
527

528 References

- 529 Aaltonen, H., Pumpanen, J., Pihlatie, M., Hakola, H., Hellén, H., Kulmala, L., Vesala, T., and Bäck, J.: Boreal pine
530 forest floor biogenic volatile organic compound emissions peak in early summer and autumn, *Agricultural and Forest
531 Meteorology*, 151, 682-691, <http://dx.doi.org/10.1016/j.agrformet.2010.12.010>, 2011.
- 532 Abramzon, B., and Sirignano, W. A.: Droplet vaporization model for spray combustion calculations, *International
533 Journal of Heat and Mass Transfer*, 32, 1605 - 1618, 1989.
- 534 Arya, S. P.: *Introduction to Micrometeorology*, Academic Press, San Diego, 307 pp., 1988.
- 535 Beer, C., Ciais, P., Reichstein, M., Baldocchi, D., Law, B. E., Papale, D., Soussana, J.-F., Ammann, C., Buchmann,
536 N., Frank, D., Gianelle, D., Janssens, I. A., Knohl, A., Köstner, B., Moors, E., Rouspard, O., Verbeeck, H., Vesala,
537 T., Williams, C. A., and Wohlfahrt, G.: Temporal and among-site variability of inherent water use efficiency at the
538 ecosystem level, *Global Biogeochemical Cycles*, 23, doi:10.1029/2008GB003233, 2009.
- 539 Bird, R. B., Stewart, W. E., and Lightfoot, E. N.: *Transport Phenomena*, John Wiley & Sons, Cambridge, 2002.
- 540 Businger, J. A., Wyngaard, J. C., Izumi, Y., and Bradley, E. F.: Flux-profile relationships in the atmospheric surface
541 layer, *Journal of the Atmospheric Sciences*, 28, 181 - 189, 1971.
- 542 Cowan, I. R., and Farquhar, G. D.: Stomatal function in relation to leaf metabolism and environment, *Symposia of
543 the Society for Experimental Biology*, 31, 471 - 505, 1977.
- 544 Dyer, A. J., and Hicks, B. B.: Flux-gradient relationships in the constant flux layer, *Quarterly Journal of the Royal
545 Meteorological Society*, 96, 713 - 721, 1970.
- 546 Farquhar, G. D., von Caemmerer, S., and Berry, J. A.: A biochemical model of photosynthetic CO₂ assimilation in
547 leaves of C3 species, *Planta*, 149, 78 - 90, 1980.
- 548 Finnigan, J. J., Clement, R., Malhi, Y., Leuning, R., and Cleugh, H. A.: A re-evaluation of long-term flux
549 measurement techniques. Part I: Averaging and coordinate rotation, *Boundary-Layer Meteorology*, 107, 1 - 48, 2003.
- 550 Finnigan, J. J.: Response to comment by Dr. A.S. Kowalski on "The storage term in eddy flux calculations",
551 *Agricultural and Forest Meteorology*, 149, 725 - 729, 2009.
- 552 Foken, T.: *Micrometeorology*, Springer-Verlag, Berlin, 306 pp., 2008.
- 553 Giancoli, D. C.: *General Physics*, Prentice-Hall, Englewood Cliffs, NJ, 1984.
- 554 Gu, L.: An eddy covariance theory of using O₂ to CO₂ exchange ratio to constrain measurements of net ecosystem
555 exchange of any gas species, *Agricultural and Forest Meteorology*, 176, 104-110,
556 <http://dx.doi.org/10.1016/j.agrformet.2013.03.012>, 2013.
- 557 Holton, J. R.: *An Introduction to Dynamic Meteorology*, Academic Press, San Diego, 511 pp., 1992.
- 558 Jarman, P. D.: The diffusin of carbon dioxide and water vapour through stomata, *Journal of Experimental Botany*, 25,
559 927 - 936, 1974.
- 560 Jones, H. G.: *Plants and microclimate: a quantitative approach to environmental plant physiology*, Cambridge
561 University Press, New York, 323 pp., 1983.
- 562 Kaimal, J. C., and Finnigan, J. J.: *Atmospheric Boundary Layer Flows Their Measurement and Structure*, Oxford
563 University Press, New York, 242 pp., 1994.
- 564 Katul, G., Cava, D., Poggi, D., Albertson, J., and Mahrt, L.: Stationarity, homogeneity, and ergodicity in canopy
565 turbulence, in: *Handbook of Micrometeorology*, edited by: Lee, X., Massman, W., and Law, B., 29, Kluwer
566 Academic, New York, 161 - 180, 2004.
- 567 Keenan, T. F., Hollinger, D. Y., Bohrer, G., Dragoni, D., Munger, J. W., Schmid, H. P., and Richardson, A. D.:
568 Increase in forest water-use efficiency as atmospheric carbon dioxide concentrations rise, *Nature*, 499, 324-327,
569 10.1038/nature12291
- 570 <http://www.nature.com/nature/journal/v499/n7458/abs/nature12291.html#supplementary-information>, 2013.
- 571 Kowalski, A. S., and Serrano-Ortiz, P.: On the relationship between the eddy covariance, the turbulent flux, and
572 surface exchange for a trace gas such as CO₂, *Boundary-Layer Meteorology*, 124, 129 - 141, 2007.
- 573 Kowalski, A. S., and Argüeso, D.: Scalar arguments of the mathematical functions defining molecular and turbulent
574 transport of heat and mass in compressible fluids, *Tellus*, 63B, 1059 - 1066, 2011.
- 575 Kowalski, A. S.: Exact averaging of atmospheric state and flow variables, *Journal of the Atmospheric Sciences*, 69,
576 1750 - 1757, 2012.
- 577 Kreith, F., Boehm, R. F., Raithby, G. D., Hollands, K. G. T., Suryanarayana, N. V., Carey, V. P., Chen, J. C., Lior,
578 N., Shah, R. K., Bell, K. J., Moffat, R. J., Mills, A. F., Bergles, A. E., Swanson, L. W., Antonetti, V. W., Irvine, T. F.,
579 and Capobianchi, M.: *Heat and Mass transfer*, in: *Mechanical Engineering Handbook*, edited by: Kreith, F., CRC
580 Press LLC, Boca Raton, 2688, 1999.
- 581 Lee, X.: On micrometeorological observations of surface-air exchange over tall vegetation, *Agricultural and Forest
582 Meteorology*, 91, 39 - 49, 1998.
- 583 Leuning, R.: Transport of gases into leaves, *Plant, Cell & Environment*, 6, 181-194, 10.1111/1365-3040.ep11587617,
584 1983.
- 585 Lienhard, J. H., and Lienhard, J. H.: *A heat transfer textbook*, Lienhard, J. H., Cambridge, 2000.
- 586 Mott, K. A., and Parkhurst, D. F.: Stomatal responses to humidity in air and helox, *Plant, Cell and Environment*, 14,
587 509 - 515, 1991.
- 588 Obukhov, A. M.: Turbulence in an atmosphere with a non-uniform temperature, *Boundary-Layer Meteorology*, 2, 7 -
589 29, 1971.
- 590 Parkinson, K. J., and Penman, H. L.: A possible source of error in the estimation of stomatal resistance, *Journal of
591 Experimental Botany*, 21, 405 - 409, 1970.
- 592 Stull, R. B.: *An introduction to boundary layer meteorology*, Kluwer, the Netherlands, 1988.

Eliminado: Rannik, Ü., Mammarella, I., Keronen, P., and Vesala, T.: Vertical advection and nocturnal deposition of ozone over a boreal pine forest, *Atmos. Chem. Phys.*, 9, 2089-2095, 10.5194/acp-9-2089-2009, 2009.†

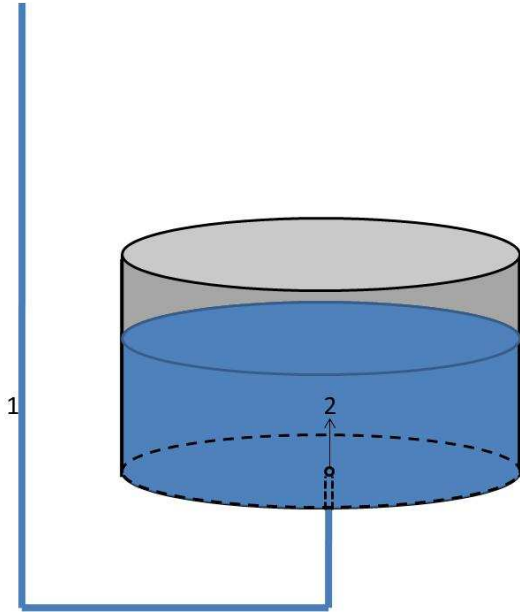
599 Suni, T., Rinne, J., Reissell, A., Altimir, N., Keronen, P., Rannik, Ü., Dal Maso, M., Kulmala, M., and Vesala, T.:
600 Long-term measurements of surface fluxes above a Scots pine forest in Hyytiälä, southern Finland, 1996-2001,
601 Boreal Environment Research, 8, 287 - 301, 2003.
602 von Caemmerer, S., and Farquhar, G. D.: Some relationships between the biochemistry of photosynthesis and the gas
603 exchange of leaves, *Planta*, 153, 376-387, 10.1007/bf00384257, 1981.
604 Wallace, J. M., and Hobbs, P. V.: Atmospheric science: an introductory survey, *International Geophysics*, edited by:
605 Dmowska, R., Hartmann, D., and Rossby, H. T., Academic Press, Amsterdam, 483 pp., 2006.
606 Webb, E. K., Pearman, G. I., and Leuning, R.: Correction of flux measurements for density effects due to heat and
607 water vapour transfer, *Quarterly Journal of the Royal Meteorological Society*, 106, 85 - 100, 1980.
608 Wilczak, J. M., Oncley, S. P., and Stage, S. A.: Sonic anemometer tilt correction algorithms, *Boundary-Layer*
609 *Meteorology*, 99, 127 - 150, 2001.

610

611

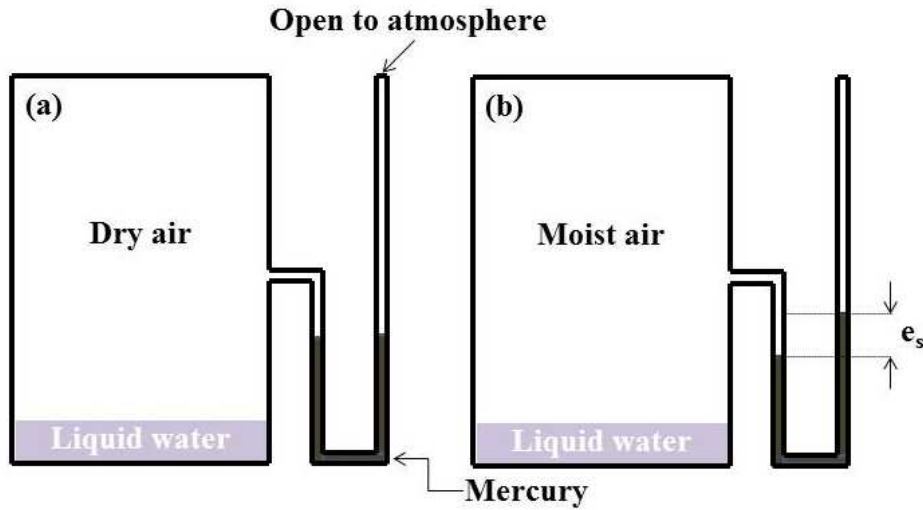
612

613
614



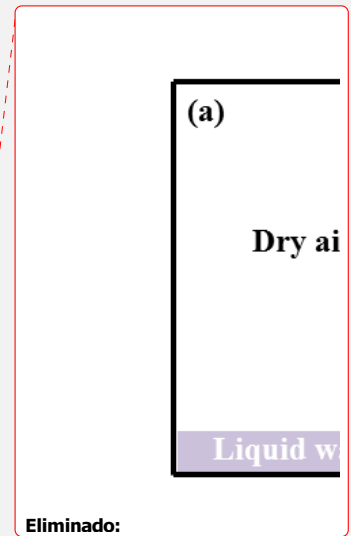
615
616 **Figure 1:** A pool of water being fed from below by a tube. The points indicate water (1) in the tube, and (2) in
617 the pool. The arrow indicates the direction of flow.

618
619



620
621 **Figure 2:** Illustration of evaporation incrementing air pressure. Chamber air evolves from (a) dry air initially
622 at atmospheric pressure; to (b) moist air at a pressure that has risen by the partial pressure of water vapour,
623 ultimately at equilibrium (saturation vapour pressure, e_s). The force generated by evaporation propels the
624 mercury in the manometer from its initial position.

625
626



628 **Table 1: List of symbols, with their meanings and units.**

Symbol	Variable represented	S.I. Units	Tensor Order
General Variable Representations			
ξ	An arbitrary magnitude (can represent any scalar variable)	Depends on ζ	0 (scalar)
ξ_i	The magnitude of arbitrary variable ζ for gas species i	Depends on ζ	0 (scalar)
$\nabla\xi$	The spatial gradient in arbitrary variable ζ	Depends on ζ	1 (vector)
$[\xi]_0$	The lower boundary condition for arbitrary variable ζ	Depends on ζ	0 (scalar)
Specific Variable Representations			
$\Delta x, \Delta y$	Horizontal dimensions of an analytical volume	m	0 (scalars)
δz	Vertical dimension (thickness) of an analytical volume	m	0 (scalar)
E	Evaporative flux density across a horizontal surface	$\text{kg m}^{-2} \text{s}^{-1}$	0 (component)
e_s	Saturation vapour pressure	Pa	0 (scalar)
f	Mass fraction	Non-Dimensional	0 (scalar)
F_i	Vertical flux density of gas species i	$\text{kg m}^{-2} \text{s}^{-1}$	0 (component)
$F_{i,\text{non}}$	Non-diffusive component of F_i	$\text{kg m}^{-2} \text{s}^{-1}$	0 (component)
i	Index for counting gas species (as in Table 2)	-	0 (scalar)
K	Molecular diffusivity	$\text{m}^2 \text{s}^{-1}$	0 (scalar)
LAI	Leaf area index	Non-Dimensional	0 (scalar)
p	Pressure	Pa	0 (scalar)
q	Specific humidity	Non-Dimensional	0 (scalar)
ρ	Air density	kg m^{-3}	0 (scalar)
σ	Stomatal fraction of leaf area	Non-Dimensional	0 (scalar)
T	Air temperature	K	0 (scalar)
t	Time	s	0 (scalar)
t_0	Initial instant of a case scenario	s	0 (scalar)
t_{eq}	Equilibrium instant of a case scenario	s	0 (scalar)
t_f	Final instant of a case scenario	s	0 (scalar)
\mathbf{v}	Air velocity	m s^{-1}	1 (vector)
w	Vertical component of \mathbf{v}	m s^{-1}	0 (component)
WUE	Water use efficiency	Non-dimensional	0 (scalar)
z	Height above the surface	m	0 (component)

Eliminado: k

629

630

632 **Table 2: Gas components comprising the system to be examined, and their masses.**

<i>i</i>	Gas	Mass (kg)
1	Nitrogen (N ₂)	$9.14 \cdot 10^{-16}$
2	Oxygen (O ₂)	$2.80 \cdot 10^{-16}$
3	Argon (N ₂)	$1.56 \cdot 10^{-17}$
4	Water vapour (H ₂ O)	$1.61 \cdot 10^{-17}$
5	Carbon dioxide (CO ₂)	$7.36 \cdot 10^{-19}$
6	Methane (CH ₄)	$1.14 \cdot 10^{-21}$
7	Nitrous oxide (N ₂ O)	$5.70 \cdot 10^{-22}$
8	Ozone (O ₃)	$4.01 \cdot 10^{-23}$

633

634

635 **Table 3: The first six air components by their surface exchange scale magnitude, and the net exchange of air as**
 636 **the sum of these flux densities. Representative surface exchanges are taken from the Finnish boreal forest site**
 637 **(Suni et al., 2003; Aaltonen et al., 2011). The O₂ exchange rate assumes 1:1 stoichiometry with CO₂.**

gas	Typical mass flux, F_i (mg m ⁻² s ⁻¹)	Corresponding molar flux (mmol m ⁻² s ⁻¹)	Source	<i>i</i>
H ₂ O	36	2	(Suni et al., 2003)	4
CO ₂	-0.088	-0.002	(Suni et al., 2003)	5
O ₂	0.064	0.002	(Gu, 2013)	2
CH ₄	-0.000032	-0.000002	(Aaltonen et al., 2011)	6
O ₃	-0.0000096	-0.0000002	(Suni et al., 2003)	8
N ₂ O	0.00000088	0.00000002	(Aaltonen et al., 2011)	7
Air	35.98	-	This study	-

638

639