

1 **Aerosol Hygroscopicity Parameter Derived from the Light**
2 **Scattering Enhancement Factor Measurements in the North**
3 **China Plain**

4 **J. Chen¹, C. S. Zhao¹, N. Ma^{1,*}, P. Yan²**

5 [1]{Department of Atmospheric and Oceanic Sciences, School of Physics, Peking
6 University, Beijing 100871, China}

7 [2]{Meteorological Observation Centre, China Meteorological Administration,
8 Beijing 100871, China}

9 [*]{Now at: Leibniz Institute for Tropospheric Research, Permoserstr. 15, 04318
10 Leipzig, Germany}

11 Correspondence to: C. S. Zhao (zcs@pku.edu.cn)

12 **Abstract**

13 The relative humidity (RH) dependence of aerosol light scattering is an essential
14 parameter for accurate estimation of the direct radiative forcing induced by aerosol
15 particles. Because of insufficient information about aerosol hygroscopicity in climate
16 models, a more detailed parameterization of hygroscopic growth factors and resulting
17 optical properties with respect to location, time, sources, aerosol chemistry and
18 meteorology are urgently required. In this paper, a retrieval method to calculate the
19 aerosol hygroscopicity parameter, κ , is proposed based on the in situ measured aerosol
20 light scattering enhancement factor, namely $f(\text{RH})$, and particle number size
21 distribution (PNSD) obtained from the HaChi (Haze in China) campaign.
22 Measurements show that $f(\text{RH})$ increases sharply with increasing RH, and that the
23 time variance of $f(\text{RH})$ is much greater at higher RH. A sensitivity analysis reveals
24 that the $f(\text{RH})$ is more sensitive to the aerosol hygroscopicity than PNSD. $f(\text{RH})$ for
25 polluted cases is distinctly higher than that for clean periods at a specific RH. The
26 derived equivalent κ , combining with the PNSD measurements, is applied in the

1 prediction of the CCN number concentration. Comparison between the predicted
2 CCN number concentration with the derived equivalent κ and the measured ones
3 agrees well, especially at high supersaturations. The proposed calculation algorithm of
4 κ with the $f(\text{RH})$ measurements is demonstrated to be reasonable and can be widely
5 used.
6

1 **1 Introduction**

2 Atmospheric aerosols contribute significantly to the uncertainties when predicting
3 climate radiative forcing (IPCC, 2007). Aerosol optical properties are crucial input
4 parameters for accurate estimation of the direct radiative forcing caused by aerosols in
5 climate models. Covert *et al.* (1972) indicated that aerosol hygroscopicity can affect
6 their optical properties via changing the particle size and refractive index, and hence
7 influence the climatic and environmental effects of aerosols. As a result, the relative
8 humidity (RH) dependence of aerosol optical properties, e.g., light scattering, is a key
9 factor to the estimation of aerosol radiative forcing (Charlson *et al.*, 1992; Schwartz,
10 1996). For better simulation and prediction of radiative transfer, along with aerosol
11 relevant physical processes, parameterized forms of aerosol hygroscopic growth
12 factors are usually required in General Circulation Models (GCMs). However,
13 detailed information of aerosol hygroscopicity is always insufficient for the model
14 input of GCMs. This therefore calls for more comprehensive description and
15 corresponding parameterization of aerosol hygroscopicity.

16 The RH dependence of light scattering (denoted by $f(\text{RH})$) is one of the physical
17 parameters commonly applied to describe aerosol hygroscopicity. It is usually defined
18 as the ratio of aerosol light scattering coefficients at a given RH ($\sigma_{sc}(\text{RH})$) and dry
19 condition ($\sigma_{sc,dry}$), namely, $f(\text{RH}) = \sigma_{sc}(\text{RH})/\sigma_{sc,dry}$. Numerous studies have
20 demonstrated that the parameterized $f(\text{RH})$ can be generally expressed as an
21 exponential function of RH (Covert *et al.*, 1972; Fitzgerald *et al.*, 1982; Carrico *et al.*,
22 1998, 2000, 2003; Kotchenruther *et al.*, 1999; Hegg *et al.*, 2002; Randriamiarisoa *et al.*,
23 2006; Cheng *et al.*, 2008; Pan *et al.*, 2009; Fierz-Schmidhauser *et al.*, 2010a, b, c;
24 Zieger *et al.*, 2010, 2013). It should be noted that, different from the size-resolved
25 aerosol diameter growth factor ($g(\text{RH})$), $f(\text{RH})$ represents the overall aerosol light
26 scattering enhancement factor of the aerosol population, and is jointly determined by
27 the particle number size distribution (PNSD), chemical composition, density and
28 refractive index. Additionally, the particle morphology changes can also strongly
29 affect the aerosol optical and hygroscopic properties, leading to significant impact on

1 $f(\text{RH})$. Pagels et al. (2009) found that the transformation of soot particles to spherical
2 droplets can be achieved in several hours with atmospheric aging processes. With
3 increasing RH and mass fraction of condensed soluble materials onto fresh soot, the
4 light scattering and absorption of soot particle could be evidently enhanced (Khalizov
5 et al., 2009; Pagels et al., 2009).

6 Pilat and Charlson (1966) attempted to measure the aerosol light scattering
7 enhancement factor with a tandem integrating nephelometer. In the following studies,
8 Covert et al. (1972) introduced a measuring method to determine the $f(\text{RH})$ at a set
9 RH value with a humidified integrating nephelometer. More recently, the principle of
10 humidified nephelometry has been improved (Fierz-Schmidhauser et al., 2010a-c).
11 To be specific, by adding a fast temperature and RH feedback controller to the
12 humidified nephelometer and maintaining a stable reference RH, a quick, automated
13 response of the scanned RH, and $f(\text{RH})$ can be achieved.

14 With the above-mentioned hygroscopicity measurement technologies, numerous
15 $f(\text{RH})$ -related observations have been successively conducted worldwide. In the
16 studies of Malm et al. (2001, 2003), results showed that aerosol can still take up water
17 in a relatively low RH range of 20-30% RH. Nessler et al. (2005) found that $f(\text{RH})$ is
18 highly dependent on the mean particle diameter at a constant RH. By measuring and
19 modeling $f(\text{RH})$ for various aerosol types, a comparison result reveals that the $f(\text{RH})$
20 for marine aerosols (Carrico et al., 1998, 2000, 2003; McInnes et al., 1998; Gasso et
21 al., 2000; Wang et al., 2007; Fierz-Schmidhauser et al., 2010b; Zieger et al., 2010) is
22 generally higher than that for either urban (Fitzgerald et al., 1982; McInnes et al.,
23 1998; Yan et al., 2009; Zieger et al., 2011) or continental aerosols (Sheridan et al.,
24 2001; Fierz-Schmidhauser et al., 2010c; Zieger et al., 2012, 2013). The $f(\text{RH})$ for
25 mineral dust and freshly emitted biomass burning aerosols is significantly lower
26 (Kotchenruther and Hobbs, 1998; Li-Jones et al., 1998; Carrico et al., 2003; Kim et al.,
27 2006; Fierz-Schmidhauser et al., 2010a; Zieger et al., 2012). It is worth noting that the
28 $f(\text{RH})$ for marine aerosols would show a decrease with strong anthropogenic influence
29 (McInnes et al., 1998; Gasso et al., 2000; Wang et al., 2007; Fierz-Schmidhauser et al.,

1 [2010b; Zieger et al., 2010](#)).

2 In the current research on aerosol hygroscopic and activation properties, one essential
3 mission is to reliably predict the number concentration of cloud condensation nuclei
4 (CCN). It is known that, at a given supersaturation, the aerosol activation ability is
5 determined primarily by the particle size and secondarily by aerosol hygroscopicity
6 ([Seinfeld and Pandis, 1998](#)). The online, continuous observations of PNSD can be
7 easily achieved using commercial instruments. However, direct measurements of
8 aerosol hygroscopicity are relatively much more difficult and demand custom
9 instrumental systems. In this work, we attempt to derive the hygroscopicity parameter,
10 κ , with the measured $f(\text{RH})$. Analogous work had been reported by Ervens et al.
11 ([2007](#)). In the proposed approach, they have made the assumption that the aerosol
12 consisted of simply a soluble fraction of ammonium sulfate and an unspecified
13 insoluble component. By varying the insoluble mass fraction, with modulating the
14 comparison results between the measured and calculated $f(\text{RH})$ at a specific RH to the
15 minimum deviation, the aerosol hygroscopicity parameter can be obtained. It
16 therefore provides a possible way for the prediction of aerosol activation property,
17 hence building a bridge for the estimation of CCN number concentration with the
18 measured PNSDs. We show that the retrieval algorithm for κ based on $f(\text{RH})$
19 measurements is of significant utility and applicability.

20 Recently, with the rapid economic growth, along with the sharp expansion of the
21 industrialization and urbanization, most megacities in the north China plain (NCP)
22 have inevitably experienced severe aerosol pollution. Liu et al. ([2009](#)) found that the
23 average surface level number concentration of aerosols within 0.12-3.0 μm was about
24 6600 cm^{-3} ; whilst the annual mean (2005~2006) aerosol mass concentration of
25 particles smaller than 2.5 μm ($\text{PM}_{2.5}$) was reported to be as high as $118.5 \pm$
26 $40.6 \mu\text{g m}^{-3}$ ([Yang et al., 2011](#)). Resulting aerosol pollution episodes, as well as the
27 aerosol-related environmental and health effects, have aroused great public concern.
28 Considering the unique physical and chemical characteristics of aerosol particles in
29 this region, research on aerosol hygroscopicity is of special necessity. Previous

1 studies indicated that aerosols in the highly polluted NCP are highly hygroscopic (Liu
2 et al., 2011). Consequently, hygroscopic growth of the aerosol will have an immense
3 impact on aerosol optical properties and cloud droplet activation (Deng et al., 2011;
4 Chen et al., 2012). Nevertheless, due to the limitations of measurement technologies,
5 it is relatively difficult to directly measure aerosol hygroscopicity, and hence the
6 existing research results are insufficient (Massling et al., 2009; Meier et al., 2009).
7 Because measurement of aerosol light scattering enhancement with integrating
8 nephelometers is more feasible and practical, many measurements of $f(\text{RH})$ have been
9 carried out in the NCP; while relevant studies on $f(\text{RH})$ in the northern part of the
10 NCP are relatively scarce (Pan et al., 2009; Yan et al., 2009). For better estimation of
11 the radiative forcing by aerosols in the NCP, a comprehensive description of aerosol
12 hygroscopicity and parameterized hygroscopic growth factors are urgently needed in
13 climate models.

14 In this study, 20-day well-maintained $f(\text{RH})$ observations, obtained from the Haze in
15 China (HaChi) field campaign conducted in Wuqing, Tianjin, are analyzed. Statistical
16 characteristics of $f(\text{RH})$ in the northern part of the NCP region, along with their
17 variations under different pollution levels, are investigated. A sensitivity analysis on
18 dominating influence factors of $f(\text{RH})$ is carried out, and the parameterization results
19 of $f(\text{RH})$ are presented. Based on the $f(\text{RH})$ measurements, a new algorithm for
20 deriving aerosol hygroscopicity parameter is introduced. An application of the
21 retrieved κ in the prediction of the CCN number concentration (N_{CCN}), along with the
22 comparison study of N_{CCN} between the calculated and in situ measured values, is also
23 performed. These results are of great reference value to the relevant model
24 simulations of aerosol particles in the northern part of the NCP region.

25

26 **2 Experiment and Instrumentation**

27 The Wuqing site (39°23'N, 117°01'E, 6 m a.s.l.) is a suburban observation station in
28 the NCP. It is situated in between the megacities Beijing and Tianjin. Wuqing can

1 highly represent the regional aerosol pollution in the northern part of NCP. More
2 information of the site description can be found in Ran et al. (2011) and Liu et al.
3 (2011). A fog and haze experiment of the HaChi project was carried out at Wuqing
4 from the end of October, 2009 to late January, 2010. The aim of the campaign is to
5 obtain some more insight of the physical and chemical characteristics of pollution
6 aerosols, as well as the difference of aerosol optical properties between fog and haze,
7 hence serving as reference criteria for distinguishing fog from haze. This work mainly
8 focuses on the method of deriving κ from the measured $f(\text{RH})$ in January in the
9 northern part of the NCP region.

10 During the entire winter experiment, ground-level aerosol size distribution, optical
11 and activation properties, visibility and meteorological parameters were measured.
12 Specifically, the PNSD observations measured by a scanning mobility particle sizer
13 (SMPS) were only in the submicron size range (14-736 nm), with the time resolution
14 of 5 minutes. A continuous-flow dual CCN counter (CCN-200, DMT, USA) (Roberts
15 and Nenes, 2005; Lance et al., 2006) was utilized to measure the aerosol activation
16 properties at five set supersaturations (nominally 0.07, 0.10, 0.20, 0.40, and 0.80%).
17 The observations were recorded every 30 minutes, and details can be obtained in
18 Deng et al. (2011). The continuous $f(\text{RH})$ measurement with a humidification system
19 took place in the duration of January 1-20, 2010. A complete humidification cycle,
20 with both elevated and decreased RH periods, lasted for about two and a half hours. In
21 the data processing procedure, every one-minute dry aerosol light scattering and
22 absorption data, visibility, as well as meteorological parameters, was averaged into
23 5-minute mean values.

24 As introduced before, the two integrating nephelometers operated in parallel are often
25 applied in the measurement of $f(\text{RH})$. What we used in this work is the integrating
26 nephelometer (TSI Inc., Model 3563) at three wavelengths of 450, 550 and 700 nm,
27 respectively. With no special statement, the wavelength of 550 nm is chosen for
28 discussion in this study. In the humidification system, one reference nephelometer is
29 used to measure the aerosol light scattering coefficient at dry conditions (usually

1 defined as $RH < 40\%$), shortly called as “Dry-NEPH”; the other one, correspondingly
2 named as “Humi-NEPH”, is operated in humidified conditions, hence the aerosol light
3 scattering at a given RH is determined. The humidifier in the Humi-NEPH mainly
4 consists of the following two parts. That is, it comprises a deionized water bath
5 connected in between the inhaled aerosol sample line and the nephelometer, and a
6 water vapor penetrating membrane tube immersed through a heatable metal pipe. The
7 aerosol flow is first exposed to an increasing RH in the humidifier till a maximum RH
8 value has been reached inside the Humi-NEPH, and then dehydrated with the
9 decrease of RH. The given RH, depending on the flow and surrounding temperature
10 conditions, is achieved by controlling of the water temperature inside the water bath.
11 To be specific, with modulating the power of heating equipment, the water
12 temperature is regulated, and in turn controls the water vapor permeated to mix with
13 aerosol sample. During our $f(RH)$ measurements, 117 valid humidifying cycles are
14 achieved. Generally, the humidifier is capable of increasing the RH from 30% to 90%.
15 Nevertheless, the cases of RH lower than 20% and up to 95% are occasionally
16 observed. More details of the Humi-NEPH can refer to Covert et al. (1972) and
17 Fierz-Schmidhauser et al. (2010c).

18 A comparative analysis of σ_{sc} between measured with the Humi-NEPH at RH below
19 40% and the reference Dry-NEPH was performed. Results show that the dry σ_{sc}
20 values measured with the two nephelometers generally agree well with each other,
21 with the correlation coefficient higher than 0.99 ($R=0.998$). The corresponding
22 regression slope and intercept are 1.06 and -0.59 , respectively, suggesting the dry σ_{sc}
23 measured with the Humi-NEPH is relatively higher. The discrepancies between the
24 two observations could be induced by the following accounts. One is probably due to
25 the weak hygroscopic growth of aerosols at low RH, leading to higher σ_{sc} values than
26 those measured under dry conditions. Another possible explanation may be attributed
27 to a difference in RH or in the RH history of the aerosol sample in the nephelometer
28 system along with hysteresis effects. Additionally, uncertainties of the σ_{sc}
29 measurement derived from different aerosol chemical compositions and mixing states

1 at high aerosol loading can also contribute considerably to the discrepancies.

2

3 **3 Results and Discussion**

4 In this section, the characteristics and their variations of simultaneously measured
5 $f(\text{RH})$, dry σ_{sc} and wind parameters will be investigated at first. The parameterization
6 results of $f(\text{RH})$ under different pollution cases are discussed based on the sensitivity
7 analysis on the factors influencing the time variance of $f(\text{RH})$. An algorithm for
8 retrieving the aerosol hygroscopicity parameter with $f(\text{RH})$ measurements is
9 introduced.

10 **3.1 Overview of the $f(\text{RH})$ measurements**

11 Previous work has demonstrated that there were two typical synoptic conditions in
12 winter of the NCP region. Specifically, strong winds from the north are often observed
13 with the slightest polluted conditions; while the mild southerly winds would result in
14 severe local pollution due to the accumulation of pollutants with weak diffusion,
15 contributing to the highly frequent haze events (Xu et al., 2011). In this sense, aerosol
16 pollution events in winter at Wuqing are highly correlated with the wind speed and
17 prevailing wind direction. To investigate the variation of $f(\text{RH})$ under different
18 pollution levels, two distinctly different aerosol pollution episodes were recognized
19 beforehand.

20 Fig.1 presents the time series of the 5-minute mean dry σ_{sc} at 550 nm wavelength
21 ($\sigma_{sc,dry}^{550}$) and the simultaneously measured wind parameter throughout the January
22 observations. Considering the wind dependence of dry σ_{sc} , several typical observation
23 periods are selected to categorize the clean and polluted cases. Specifically, during the
24 periods of DOY4.2-5.6 and DOY 11-13.5 (DOY here means the date of the year,
25 counting from number 1. e.g., DOY1.5 thus represents 12:00h of January 1, and so
26 on.), the dominating wind is continuous strong northerly, with the wind speed
27 generally higher than 5 m s^{-1} . Most of the accumulated air pollutants are swept away,
28 and the Wuqing site is controlled by the clean air mass from the north regions. The

1 dry σ_{sc} hardly exceeds 100 Mm^{-1} . The corresponding 5-minute mean dry σ_{sc} for the
2 two periods is $44.7 \pm 21.2 \text{ Mm}^{-1}$, much lower than that of the overall mean level
3 ($484.5 \pm 458.1 \text{ Mm}^{-1}$) in January. Consequently, the two periods are chosen as the
4 representative of clean conditions. During DOY7-11 and DOY16-20, the wind speed
5 almost keeps fluctuating at around 1 m s^{-1} . The campaign site is mainly influenced by
6 the local emissions and pollutants transported from surrounding areas. The dry σ_{sc}
7 over 1000 Mm^{-1} is frequently observed, with a significantly high 5-minute mean σ_{sc}
8 value of $894.8 \pm 410.9 \text{ Mm}^{-1}$. As a result, these two periods are used to characterize
9 the polluted cases.

10 Overall, the measured $f(\text{RH})$ varies in the range of 1.0-3.0. Table 1 displays the mean
11 and corresponding standard deviation (σ) values of in situ measured $f(\text{RH})$ at specific
12 RHs under different pollution levels, where “Average” represents the overall mean
13 value for the whole $f(\text{RH})$ measurement period. It can be found that $f(\text{RH})$ increases
14 significantly with increasing RH. To be specific, at 80% RH, the mean $f(\text{RH})$ values
15 for clean and polluted cases are 1.46 ± 0.15 and 1.58 ± 0.19 , respectively; while the
16 corresponding mean $f(\text{RH})$ to the overall average condition is 1.58 ± 0.22 ,
17 approximating to that of the value during polluted periods. The $f(\text{RH}=80\%)$
18 measurements presented here are comparable to the results concluded by Pan et al.
19 (2009) at a rural site near Beijing, with the mean $f(\text{RH})$ values of 1.31 ± 0.03 and 1.57
20 ± 0.02 corresponding to clean and urban pollution episodes, respectively. These
21 values are all much higher than those reported by Yan et al. (2009) for the
22 Shangdianzi background observation station, another rural site of northern China with
23 lower anthropogenic influence.

24 At RH = 90%, the mean $f(\text{RH})$ for the entire $f(\text{RH})$ observation period is 1.90 ± 0.27 ,
25 while the mean values for both clean and polluted conditions are 1.71 ± 0.26 and 1.93
26 ± 0.21 , respectively. It is noted that the general mean $f(\text{RH}=90\%)$ is roughly
27 approaching 2.0. From the definition of $f(\text{RH})$, it indicates that the integral light
28 scattering of the aerosol population has nearly doubled with respect to the σ_{sc} at dry
29 conditions. As suggested in previous studies, aerosol light scattering approximately

1 contributes 90% of the total aerosol light extinction, and this proportion would
2 increase with higher RH (Yuan et al., 2006; Cheng et al., 2008; Chen et al., 2012). In
3 other words, to be simplification, aerosol light extinction at 90% RH would be
4 enhanced twice as the corresponding value at dry conditions. According to the
5 Kosiemider theory (Seinfeld and Pandis, 1998), there is an empirical negative
6 correlation between the visibility and light extinction. In this sense, the visibility
7 would therefore be degraded to be half of the level at dry conditions. This is of great
8 instructive significance to the low visibility monitoring and forecast for relevant
9 environment departments.

10 Table 1 also presents the mean $f(\text{RH})$ results corresponding to both clean and polluted
11 cases. The $f(\text{RH})$ for clean periods is significantly lower than the corresponding value
12 for polluted episodes at each specific RH. In addition, the overall mean $f(\text{RH})$ for the
13 whole $f(\text{RH})$ observation period is even closer to the mean value for polluted cases, as
14 a result of the longer duration of polluted conditions than that of the clean periods.
15 Similar conclusions can be easily drawn from Fig.2.

16 Fig.2 illustrates the corresponding variations of mean $f(\text{RH})$ with RH during the clean,
17 average, and polluted periods. The right panel (Fig.2 (b)) displays the occurrence
18 frequency distributions of measured $f(\text{RH})$ at four selected RHs. It is apparent that
19 $f(\text{RH})$ presents an approximating exponential variation with the increase of RH. The
20 time variance of $f(\text{RH})$ seems to be greater at higher RH, as indicated evidently by the
21 PDF of $f(\text{RH})$ in Fig.2 (b). At a specific RH, the $f(\text{RH})$ for polluted episodes is
22 significantly higher than that for clean cases. In particular, the deviation of $f(\text{RH})$
23 between those measured under clean and polluted conditions is more notable at higher
24 RHs.

25 The error bar, or rather the standard deviation, of the overall mean $f(\text{RH})$ at a given
26 RH presents an increasing trend with the increase of RH. The possible reasons for the
27 time variance of $f(\text{RH})$ at different RHs can be attributed as below. As illustrated by
28 the definition of $f(\text{RH})$, it denotes the ratio of aerosol light scattering at a specific RH
29 to dry scattering coefficient. Hence, the time variance of $f(\text{RH})$ is mainly contributed

1 by the variation of σ_{sc} in humidified conditions. According to the theoretical
2 calculation of aerosol optical properties at a fixed wavelength with the Mie model
3 (Mie, 1908; Bohren and Huffman, 1983), the crucial input parameters primarily
4 include the particle size, refractive index, and aerosol size distribution. At ambient RH
5 conditions, aerosol hygroscopic growth can change the particle size and refractive
6 index by taking up water, and this effect would be presented more significantly with
7 the increase of RH. Nevertheless, previous investigations have demonstrated that the
8 aerosol refractive index varies slightly with the changing RH, hence with insignificant
9 influence on aerosol light scattering (Lesins et al., 2002; Cheng et al., 2006).
10 Consequently, the key factors of dominating the time variance of $f(\text{RH})$ should be
11 ascribed to the aerosol size distribution and hygroscopicity. In general, at low RH,
12 aerosol hygroscopic growth is not so strong, leading to the accompanied shift of
13 PNSD also indistinct, and thus induce a relatively small time variance of $f(\text{RH})$. While
14 at high RH, the influence of aerosol hygroscopic growth on both of the particle size
15 and PNSD pattern is much more significant. As a result, it will dramatically affect the
16 time variance of $f(\text{RH})$.

17 Briefly, the $f(\text{RH})$ is determined by both of the PNSD and aerosol hygroscopicity
18 related to the chemical composition. To understand how $f(\text{RH})$ is dependent on the
19 aerosol size distribution and aerosol hygroscopicity, a detailed sensitivity analysis is
20 needed.

21

22 **3.2 Factors influencing $f(\text{RH})$**

23 Detailed procedures of the sensitivity analysis are as follows: (1) With a fixed PNSD,
24 varying the aerosol hygroscopic growth factors, the $f(\text{RH})$ values corresponding to
25 different water uptake abilities can be theoretically estimated with the Mie model.
26 This illustrates how $f(\text{RH})$ depends on aerosol hygroscopicity. Specifically, a mean
27 PNSD is used in this work. (2) Using a constant aerosol hygroscopicity parameter, κ ,
28 while altering the PNSD, the $f(\text{RH})$ corresponding to each PNSD can be derived from

1 the Mie calculation. Here we use the temporal averaged size-resolved hygroscopic
2 growth factors. Correspondingly, this is regarded as the sensitivity test of $f(\text{RH})$ to the
3 aerosol size distribution.

4 For the consideration of simplifying calculation, the sensitivity analysis of $f(\text{RH})$ to
5 the aerosol hygroscopicity is based on the assumption that a specific PNSD
6 corresponds to an integral mean κ . By changing the value of the overall mean κ , the
7 mean size-resolved aerosol hygroscopic growth factors corresponding to different
8 water absorption capabilities can be derived with the κ -Köhler theory (Petters and
9 Kreidenweis, 2007). Combined with the fixed PNSD, the variation of $f(\text{RH})$ under
10 different hygroscopic capacities can be estimated with the Mie model.

11 On account of the integrity and availability of the corresponding data for the
12 sensitivity analysis, the in situ measured PNSDs, mean size-resolved hygroscopic
13 growth factors, along with the aerosol optical observations during the HaChi summer
14 campaign are applied in the theoretical calculation of $f(\text{RH})$ with the Mie model.
15 Comprehensive information of the HaChi field campaign and relevant data can be
16 found in previous studies (Liu et al., 2011; Ma et al., 2011; Chen et al., 2012). Results
17 of the sensitivity analysis are given in Fig.3.

18 The left panel of Fig.3 shows the equivalent $f(\text{RH})$ derived from the in situ measured
19 dry σ_{sc} and ambient visibilities. With the visibility observations, the ambient light
20 extinction can be obtained by using the Kosiemider theory (Seinfeld and Pandis,
21 1998). Based on the single scattering albedo induced by the measurements of light
22 scattering and absorption under dry conditions, the ambient σ_{sc} can then be roughly
23 estimated with the light extinction. In this case, the variation of the achieved $f(\text{RH})$ at
24 a specific RH (namely, $\Delta f(\text{RH})$) should be caused by the fluctuation of both PNSD
25 and aerosol hygroscopicity.

26 The middle panel presents the sensitivity analysis of $f(\text{RH})$ to the aerosol size
27 distribution. The mean size-resolved hygroscopic growth factors are applied in the
28 Mie calculation. As a result, it can be considered as a constant κ to all the measured

1 PNSDs. The $\Delta f(\text{RH})$ in this condition should be mainly induced by the changing
2 PNSD patterns. However, unlike the highly perturbation of measured $f(\text{RH})$, little
3 variation of $\Delta f(\text{RH})$ is found in this sensitivity study.

4 The right panel illustrates the sensitivity results of $f(\text{RH})$ to aerosol hygroscopicity. It
5 can be found that the $f(\text{RH})$ curves are elevated with the increase of the mean κ values.
6 That is, at a selected RH, the higher the mean κ is, the larger the absolute $f(\text{RH})$ value
7 is. It will be presented more apparently at higher RH conditions.

8 Generally, the sensitivity analysis demonstrates that, at a specific RH, the $f(\text{RH})$
9 seems to be more sensitive to the variation of aerosol hygroscopicity. It might be
10 mainly induced by the varying chemical components of aerosol particles. The PNSD
11 pattern changes can also impact the $f(\text{RH})$, and the effect is more significant at high
12 RH conditions.

13

14 **3.3 A parameterization scheme of $f(\text{RH})$**

15 At low RH, the variation of $f(\text{RH})$ is inconspicuous; while the $f(\text{RH})$ would vary
16 considerably with the increasing RH under high RH conditions. For better description
17 of the variation of $f(\text{RH})$, a stepwise function is applied to fit the $f(\text{RH})$ measurements.
18 On the basis of empirical functions suggested previously (Carrico et al., 1998, 2000,
19 2003; Kotchenruther et al., 1999; Hegg et al., 2002; Randriamiarisoa et al., 2006; Pan
20 et al., 2009), a specific polynomial segment fitting, with the critical RH of 60%, is
21 chosen to perform the parameterization of $f(\text{RH})$, as expressed in eq.(1). The
22 parameterization results are displayed in Table 2.

$$23 \quad f(RH) = a \cdot (1 - RH)^{-b \cdot RH} \quad (1)$$

24 The fitting parameters of $f(\text{RH})$ are summarized in Table 2. Large difference of the
25 fitting parameter b appears at RH below 60%, while the parameterized $f(\text{RH})$ of $\text{RH} \geq$
26 60% presents slight variation under varying pollution conditions. At low RH, the
27 influence of aerosol hygroscopicity on the $f(\text{RH})$ is indistinct, and the $f(\text{RH})$ could be

1 more sensitive to the changing PNSD. In this sense, the difference of the fitting
2 parameters among different pollution levels is evident. While at high RH, the
3 variation of $f(\text{RH})$ is dominated by the influence coming from the aerosol
4 hygroscopicity. Aerosol hygroscopicity is mainly determined by the mass fraction of
5 ammonium sulfate or nitrate in the accumulation mode of the aerosol population, with
6 the soluble mass fraction of little variation (Liu et al., 2014). Hence, the difference of
7 this effect among varying pollution cases is not apparent. As a result, the fitting
8 parameters would present little variation among different pollution levels.

9

10 **3.4 Aerosol hygroscopicity parameter derived from the $f(\text{RH})$ measurements**

11 The RH dependence of light scattering is a widely used parameter for the description
12 of aerosol hygroscopicity. According to the single parameterized κ -Köhler theory
13 proposed by Petters and Kreidenweis (2007), with a known mean κ , the size-resolved
14 aerosol diameter growth factors can be roughly estimated. Combining with the aerosol
15 size distribution, the corresponding $f(\text{RH})$ could be calculated with the Mie model. On
16 the contrary, the aerosol hygroscopicity parameter, κ , could be theoretically obtained
17 with the $f(\text{RH})$ and PNSD measurements. It should be pointed out that the achieved κ ,
18 derived from the measured $f(\text{RH})$, is slightly different from the size-dependent κ . The
19 κ here represents the overall mean hygroscopicity corresponding to the aerosol size
20 distribution, reflecting the overall ability of the aerosol population taking up water,
21 without the details of size-resolved hygroscopic growth.

22 Based on the method described previously (Ervens et al., 2007), a straightforward
23 algorithm for deriving κ is proposed in this study. The main difference between the
24 two methods is that, rather than varying the mass fraction of the insoluble compound
25 to restrict the aerosol chemical composition in the algorithm introduced by Ervens et
26 al., the new method is performed by changing the initial value of the assumed κ . To
27 reduce the possible influence of observational random errors on the estimated results,
28 all the valid $f(\text{RH})$ measurements in a complete humidifying cycle are used to derive

1 the overall mean hygroscopicity parameter, κ . In particular, the κ during the 2.5-hour
 2 observation period is supposed to be constant. On the assumption that all the particle
 3 size bins are of the same κ value, the size-resolved diameter growth factors at a fixed
 4 RH can be estimated according to the κ -Köhler theory.

5 By using the simultaneously measured mean PNSD during the entire cycle in the Mie
 6 calculation, the $f(\text{RH})$ corresponding to each given RH can thus be obtained with an
 7 assumed κ . With comparing the estimated $f(\text{RH})$ results to the in situ measured ones, a
 8 least summation of the deviations between the two $f(\text{RH})$ values at an individual RH
 9 should be reached at a specific κ . Consequently, the assumed κ is regarded as the
 10 mean equivalent κ of the whole period. The algorithm procedure is illustrated in Fig.4.

11 In this algorithm, the refractive index for dry aerosol particles (\tilde{m}_{dry}) is assumed on
 12 the basis of the observations during the HaChi campaign (Ma et al., 2011), with the
 13 mean value of $\tilde{m}_{dry} = 1.55-0.02i$. Taking the effect of water uptake on the particle
 14 refractive index into consideration, the size-resolved refractive index for ambient
 15 aerosols after hygroscopic growth ($\tilde{m}_{wet}(D_{wet})$) can be obtained from the
 16 volume-weighted average of the dry particle and water content:

$$17 \quad \tilde{m}_{wet}(D_{wet}) = \frac{\left(g(RH, D_{dry})^3 - 1\right) \cdot \tilde{m}_{water} + \tilde{m}_{dry}}{g(RH, D_{dry})^3} \quad (2)$$

18 Where, D_{dry} and D_{wet} are the aerosol diameters at dry and ambient RH conditions,
 19 respectively. $g(RH, D_{dry})$ represents the size-resolved diameter growth factors.
 20 \tilde{m}_{water} is the refractive index for pure water, and it is reported to be $1.33-0i$.

21 Using the relevant parameters aforementioned, the aerosol light scattering coefficients
 22 corresponding to both dry and specific RH conditions can be derived with the Mie
 23 model. As a result, the $f(\text{RH})$ at a given RH is determined, expressed as $f(\text{RH})_{cal}$.
 24 Accordingly, all the $f(\text{RH})_{cal}$ at every individually measured RH_i during the whole
 25 humidifying cycle are estimated. After that, a discriminant coefficient, F ,

1 corresponding to each assumed κ is introduced as below:

$$2 \quad F = \sum_i \left(f(RH_i)_{cal} - f(RH_i)_{mea} \right)^2 \quad (3)$$

3 Where $f(RH_i)_{mea}$ stands for the in situ measured $f(RH)$ at a specific RH_i during the
4 observation period. By varying the initial value of assumed κ , a minimum F can be
5 achieved. Hence, the mean equivalent κ of the entire cycle is obtained.

6 Fig.5 illustrates an example of the calculated κ with the described algorithm. The red
7 circles in the left panel represent the valid $f(RH)$ measurements during a humidifying
8 cycle, while the gradient colored ones denote the calculated $f(RH)$ corresponding to
9 different assumed κ values. Nearly all the $f(RH)$ measurements are distributed in the
10 calculation ranges. Therefore, a specific κ should be definitely achieved to satisfy the
11 requirement of minimizing the discriminant coefficient, F . The right panel of Fig.5
12 just presents the results of discriminant coefficients corresponding to the varying
13 assumed κ values shown in the left panel. It can be found that F reaches a minimum
14 level at $\kappa = 0.31$, indicating the mean equivalent κ of the selected cycle is 0.31.

15 With the estimation algorithm, the equivalent κ of all the effective $f(RH)$
16 measurements are retrieved. Results show that, during the entire $f(RH)$ observation
17 period, the mean equivalent κ value varies over the range of 0.06-0.28, with a general
18 mean value of 0.14 ± 0.05 . The statistical results of the derived mean κ corresponding
19 to different pollution cases are also summarized in Table 3.

20 From the statistics of the equivalent κ listed in Table 3, it reveals that differences
21 among the equivalent κ values are commonly presented under varying pollution
22 conditions. To be specific, in clean cases as defined beforehand, the mean value of the
23 equivalent κ retrieved from the measured $f(RH)$ is 0.11 ± 0.03 ; while the mean value
24 for polluted episodes is relatively higher (0.13 ± 0.04). One possible reason can be
25 concluded as below. Different aerosol types can result in large variations of the
26 aerosol hygroscopicity, leading to distinct variation of the $f(RH)$. During different
27 pollution periods, the main chemical compositions of aerosol particles could be of
28 great difference, hence the aerosol water uptake ability might differ significantly from

1 each other.

2 It is noteworthy that, uncertainties of the derived equivalent κ results are possibly
3 caused by the following two aspects. One is stemmed from the uncertainty of the
4 assumptions applied in the retrieval algorithm. Due to the lack of size-resolved
5 aerosol hygroscopic growth factors, a constant κ to all the particle size bins is
6 assumed to calculate the equivalent κ . This is basically not in accordance with the
7 actual conditions. Results show that the κ values corresponding to different particle
8 sizes are of distinct variation (Chen et al., 2012). In addition, to the particles of a
9 specific size, the varying aerosol chemical composition, mixing state and particle
10 morphology could also result in a relatively wider probability distribution of κ (Liu et
11 al., 2011). The other uncertainty lies in the observation errors of the data used in the
12 calculation of κ . In other words, all the observation parameters, including the in situ
13 measured $f(\text{RH})$, PNSDs, σ_{sc} at both dry and humidified conditions, along with the RH
14 observations, are of different uncertainties. It would inevitably lead to random error of
15 the derived κ .

16

17 **3.5 An application: prediction of CCN number concentration**

18 Combining the derived κ values, the number concentration of CCN is calculated with
19 the $f(\text{RH})$ and PNSD measurements. A comparison of the predicted and in situ
20 measured CCN number concentrations is performed in this section.

21 According to the κ -Köhler theory (Petters and Kreidenweis, 2007), the critical
22 activation dry diameter, D_c , at a specific supersaturation (SS) can be theoretically
23 derived with a known κ . That is, at the given SS, particles equal or larger than D_c can
24 be activated into CCN, while the aerosols smaller than D_c cannot be activated.
25 Consequently, the number of activated CCN, namely N_{CCN} , at a selected SS can be
26 calculated as follows:

$$27 \quad N_{CCN} = \int_{D_c}^{\infty} n(\log D) \cdot AR(D) \cdot d \log D \quad (4)$$

1 Where, D is the dry particle diameter. $n(\log D)$ stands for the in situ measured PNSD,
2 and $AR(D)$ represents the activation ratio, namely the number fraction of the activated
3 aerosols to the aerosol population.

4 During the winter fog and haze experiment, the PNSD measurements are only in the
5 size range of 14-736 nm, lacking the size distribution information of larger aerosols in
6 super micron ranges. Nevertheless, the mean level of the total number concentration
7 of particles larger than 700 nm is just 13 cm^{-3} during the 2009 HaChi winter campaign
8 (Ma et al., 2011). As a result, without considering some special pollution episodes,
9 e.g., dust storms, the slight influence on the N_{CCN} calculation contributed by the super
10 micron particles could be neglected in this study.

11 Throughout the $f(\text{RH})$ observations, continuous measurements of the N_{CCN} at five
12 specific supersaturations (0.07%, 0.10%, 0.20%, 0.40%, and 0.80%, respectively) are
13 simultaneously conducted. With the observed PNSDs and the real-time κ values
14 retrieved from the $f(\text{RH})$ measurements, the corresponding N_{CCN} at each individual SS
15 can be estimated with eq.(4). The predicted N_{CCN} values are then compared to the in
16 situ measured ones at a specific SS, with the comparison results presented in Fig.6.

17 Distinctly, at the five supersaturations, the estimation values are generally comparable
18 with the corresponding measured N_{CCN} . At 0.07% and 0.10% SS, the calculated N_{CCN}
19 are significantly lower than the in situ observations; while at SS above 0.20%, with
20 the increase of N_{CCN} , the predictions are evidently higher than the measured N_{CCN} .
21 This is mainly caused by the influence of high N_{CCN} on the CCNC measurement. That
22 is, at high N_{CCN} , the overlap of particles can result in an underestimation of the actual
23 N_{CCN} . The limited water vapor supply in the cloud chamber of the CCNC instrument
24 could also lead to an underestimation of the measured N_{CCN} at high N_{CCN} conditions.
25 Due to the insufficient water vapor supply, a portion should have been activated
26 aerosols would not be activated into CCN. Determined by the measurement
27 limitations of the CCNC itself, it is relatively much more difficult to maintain at a
28 stable lower supersaturation ($\text{SS} < 0.1\%$). Consequently, the fluctuation of the
29 supersaturation during the N_{CCN} measurement would contribute large uncertainty to

1 the observations, leading to different comparison results at varying supersaturations.

2 To quantitatively evaluate the deviation of N_{CCN} between the predicted and measured
3 values, a linear regression is performed to all the N_{CCN} measurements. The fitting
4 function is as below:

$$5 \quad N_{CCN,cal} = b \cdot N_{CCN,mea} \quad (5)$$

6 Considering the underestimation of N_{CCN} induced by high N_{CCN} , the similar influence
7 would not appear at relatively low CCN number concentrations of $N_{CCN} < 5000 \text{ cm}^{-3}$.

8 Hence, the linear fitting is carried out to the following two conditions. One is aimed at
9 all the N_{CCN} measurements. The other is just to focus on the cases of N_{CCN} below
10 5000 cm^{-3} . The corresponding fitting results at each specific SS are summarized in
11 Table 4. Particularly, the fitting parameters displayed are the slope of the regression
12 line, b , and the corresponding regression sum of squares, R^2 , respectively.

13 Apart from the relatively lower R^2 of 0.74 at 0.07% SS, the R^2 values at the other four
14 supersaturations are all higher than 0.8, suggesting the good correlation between the
15 calculated N_{CCN} and measured ones. On account of the increase of N_{CCN} with the
16 increasing SS, the fitting slope, b , of all the N_{CCN} samples also presents an evident
17 increasing trend with the increase of SS. To be specific, b has increased from 0.62 at
18 0.07% SS to 1.24 at 0.80% SS. While in the case of $N_{CCN} < 5000 \text{ cm}^{-3}$, the slope b
19 shows no significant variation with the increasing SS, with generally fluctuating
20 around 0.7. It reveals that, excluding the measurement error of the CCNC itself, the
21 predicted N_{CCN} with the retrieved real-time κ is about 30% lower than the measured
22 values at a specific SS. Actually, the 30% deviation is even lower than the
23 measurement error stemmed from the influence of high N_{CCN} . This partially confirms
24 that the real-time equivalent κ retrieved from the $f(\text{RH})$ measurements could well
25 characterize the overall hygroscopic and activation properties of the aerosol
26 population. Besides the real-time κ , whether the temporal averaged equivalent κ be
27 able to reliably represent the aerosol hygroscopic and activation features as well? To
28 find a clue for it, the overall mean κ ($\kappa = 0.14$) over the whole $f(\text{RH})$ observation

1 period is applied in the analogous calculation of N_{CCN} , and the similar comparison and
2 fitting of N_{CCN} between the predicted and measured results are conducted. The
3 corresponding regression results are also displayed in Table 4.

4 In the case of N_{CCN} calculation with the overall mean κ , the regression slope, b , is
5 exclusively higher than that calculated with the real-time κ at each individual SS. The
6 corresponding R^2 values for the overall mean κ cases are also significantly higher.
7 This is more obviously presented in the fitting results for the situation of $N_{CCN} <$
8 5000 cm^{-3} ; the slope is more approaching 1.0, suggesting the less deviation between
9 the estimated and measured values. This demonstrates that the prediction of N_{CCN} with
10 the overall mean κ is more effective than that calculated with the real-time equivalent
11 κ .

12 The possible reasons can be concluded as below. Previous studies have indicated that
13 the aerosol activation property is slightly influenced by the natural variation of aerosol
14 chemical compositions (Deng et al., 2011), while the size effect on the activation
15 ability is dominating (Dusek et al., 2006). The influence of the PNSD on the N_{CCN}
16 prediction is superior to that of the aerosol hygroscopicity. Moreover, calculation error
17 inevitably lies in the estimation of N_{CCN} . As illustrated in section 3.4, the proposed κ
18 retrieval algorithm based on the $f(\text{RH})$ and PNSD measurements would lead to
19 random error of the derived κ , and hence result in uncertainty to the final calculated
20 N_{CCN} . However, with the overall mean κ , the random error of κ can be reduced by the
21 temporal averaging method to some extent. As a result, the random deviation of the
22 predicted N_{CCN} will be decreased, leading to a higher correlation with the measured
23 values.

24 At $N_{CCN} < 5000 \text{ cm}^{-3}$, the slope b for each specific SS is still lower than 0.9, with the
25 minimum value of 0.61, even if calculated with the overall mean κ . The systematic
26 deviation between the predicted and measured results could be attributed to the
27 following accounts. As discussed beforehand, the assumption of a constant κ to all the
28 particle size bins applied in the κ retrieval algorithm is of unavoidable uncertainty,
29 and it would also result in uncertainty of the derived κ . As a consequence, the

1 prediction of N_{CCN} based on the assumed constant κ in the whole size range would
2 certainly possess some calculation error. Another possible explanation can be ascribed
3 as the influence introduced by particles larger than 700 nm. With only considering the
4 PNSDs of submicron particles, the contribution of super micron aerosols to the N_{CCN}
5 calculation has been neglected. It might also cause uncertainty to the estimation
6 results.

7 To sum up, taking into consideration of the measurement errors, along with the
8 uncertainty of the predefined assumptions in the κ retrieval process with the measured
9 $f(\text{RH})$, the time-averaged mean κ over a relatively long observation period is
10 recommended to perform the N_{CCN} calculation. Alternatively, the retrieved real-time κ
11 can be categorized into several types according to a certain classification criterion.
12 Combined with the mean κ to different conditions, the in situ measured PNSDs can be
13 used to predict N_{CCN} . In this sense, the retrieval algorithm for κ with the $f(\text{RH})$
14 measurements is of essential importance to the estimation of N_{CCN} . Nevertheless,
15 more efforts need to be taken for the improvement of $f(\text{RH})$ measurements, and thus
16 achieve the goal of lower observation uncertainty but higher temporal resolution.

17

18 **4 Summary and Conclusions**

19 The RH dependence of aerosol optical properties, e.g., light scattering, is a crucial
20 input parameter for accurate estimation of the direct radiative forcing by aerosols.
21 However, the information of aerosol hygroscopicity is always insufficiently
22 implemented in climate models. As a result, more detailed description and
23 parameterization of hygroscopic growth factors are greatly in need. On this account,
24 measurements of the aerosol light scattering enhancement factor, $f(\text{RH})$, were carried
25 out during the HaChi campaign at Wuqing site in the northern part of the NCP region.
26 Simultaneously, ground-level PNSD, aerosol optical properties, along with the
27 meteorological parameters, were continuously measured.

28 Based on the in situ observations, the variation of $f(\text{RH})$ corresponding to different

1 pollution cases is discussed. The sensitivity of $f(\text{RH})$ to both aerosol hygroscopicity
2 and PNSD is investigated with the Mie model. A parameterization of $f(\text{RH})$ for
3 different pollution cases is also performed in this work. Additionally, an improved
4 algorithm for retrieving the aerosol hygroscopicity parameter, κ , with the $f(\text{RH})$ and
5 PNSD measurements is developed. With the derived equivalent κ results, the
6 prediction of N_{CCN} at five specific supersaturations is separately conducted by using
7 the measured PNSDs. For quantitatively evaluation of the estimation results, the
8 predicted N_{CCN} values are compared to the measured N_{CCN} .

9 Measurements show that $f(\text{RH})$ increases dramatically with the increasing RH. At
10 80% RH, the mean $f(\text{RH})$ for the entire $f(\text{RH})$ observation period is 1.58 ± 0.22 ; while
11 the corresponding mean values for clean and polluted cases are 1.46 ± 0.15 and $1.58 \pm$
12 0.19 , respectively. The $f(\text{RH})$ for polluted cases is higher than that for clean episodes
13 at each individual RH; with the increase of RH, the discrepancy of $f(\text{RH})$ is more
14 evident. A sensitivity analysis on the $f(\text{RH})$ influencing factors indicates that, at a
15 specific RH, the measured $f(\text{RH})$ is more significantly influenced by the variation of
16 aerosol hygroscopicity determined by its chemical compositions rather than the
17 aerosol size distribution. A parameterization scheme of $f(\text{RH})$ is achieved with a
18 polynomial segment fitting based on the statistical analysis of the $f(\text{RH})$
19 measurements. Fitting parameters among different pollution levels would present
20 more distinct deviation at RH lower than 60%, associated with the stronger influence
21 of the changing PNSD on $f(\text{RH})$. At $\text{RH} \geq 60\%$, aerosol hygroscopicity is the
22 predominant factor leading to the varying $f(\text{RH})$. Liu et al. (2014) have indicated that
23 little variation is presented in the soluble mass fraction in the accumulation mode. As
24 a consequence, it would result in unapparent varying aerosol hygroscopicity, and
25 hence no significant difference of the fitting parameters among different pollution
26 levels.

27 A straightforward retrieval method of κ by using the measured $f(\text{RH})$ and PNSDs is
28 proposed with the assumption that the aerosol hygroscopicity parameter is constant
29 during a specific humidifying cycle. The derived mean equivalent κ is in the range of

1 0.06-0.28, with an overall mean value of 0.14 ± 0.05 . The mean level of calculated
2 equivalent κ for clean cases (0.11 ± 0.03) is much lower than that of pollution
3 episodes (0.13 ± 0.04).

4 As an application, the calculated κ is used to predict CCN number concentration. The
5 comparison between the calculated CCN number concentration and in situ measured
6 results reveals a good agreement at each specific supersaturation, especially at high
7 supersaturation conditions. This shows the proposed κ retrieval algorithm with the
8 $f(\text{RH})$ measurements is reasonable and robust.

9

10 **Acknowledgements:**

11 This work is supported by the National 973 project of China (2011CB403402), the
12 National Natural Science Foundation of China under Grant No. 41375134, and the
13 Beijing Natural Science Foundation (8131003).

1 **Reference:**

- 2 Bohren, C. F. and Huffman, D. R.: Absorption and Scattering of Light by Small Particles, John
3 Wiley, Hoboken, 477-482, 1983.
- 4 Carrico, C., Rood, M., and Ogren, J.: Aerosol light scattering properties at Cape Grim, Tasmania,
5 during the first Aerosol Characterization Experiment (ACE 1), *J. Geophys. Res.*, 103(D13),
6 16565-16574, doi:10.1029/98JD00685, 1998.
- 7 Carrico, C., Rood, M., Ogren, J., Neusüß, C., Wiedensohler, A., and Heintzenberg, J.: Aerosol
8 optical properties at Sagres, Portugal, during ACE-2, *Tellus B*, 52, 694–715,
9 doi:10.1034/j.1600-0889.2000.00049.x, 2000.
- 10 Carrico, C., Kus, P., Rood, M., Quinn, P., and Bates, T.: Mixtures of pollution, dust, sea salt, and
11 volcanic aerosol during ACE-Asia: Radiative properties as a function of relative humidity, *J.*
12 *Geophys. Res.*, 108(D23), 8650, doi:10.1029/2003JD003405, 2003.
- 13 Charlson, R. J., Schwartz, S. E., Hales, J. M., Cess, R. D., Coakley Jr., J. A., Hansen, J. E., and
14 Hofmann, D. J.: Climate forcing by anthropogenic aerosols, *Science*, 255, 423-430, 1992.
- 15 Cheng, Y. F., Eichler, H., Wiedensohler, A., Heintzenberg, J., Zhang, Y. H., Hu, M., Herrmann, H.,
16 Zeng, L. M., Liu, S., Gnauk, T., Brüggemann, E., and He, L. Y.: Mixing state of elemental carbon
17 and non-light-absorbing aerosol components derived from in situ particle optical properties at
18 Xinken in Pearl River Delta of China, *J. Geophys. Res.*, 111, D20204, doi:10.1029/2005JD006929,
19 2006.
- 20 Cheng, Y. F., Wiedensohler, A., Eichler, H., Su, H., Gnauk, T., Brüggemann, E., Herrmann, H.,
21 Heintzenberg, J., Slanina, J., Tuch, T., Hu, M., and Zhang, Y. H.: Aerosol optical properties and
22 related chemical apportionment at Xinken in Pearl River Delta of China, *Atmos. Environ.*, 42,
23 6351–6372, 2008.
- 24 Chen, J., C. S. Zhao, N. Ma, P. F. Liu, T. Göbel, E. Hallbauer, Z. Z. Deng, L. Ran, W. Y. Xu, Z.
25 Liang, H. J. Liu, P. Yan, X. J. Zhou, and A. Wiedensohler.: A parameterization of low visibilities
26 for hazy days in the North China Plain, *Atmos. Chem. Phys.*, 12, 4935–4950,
27 doi:10.5194/acp-12-4935-2012, 2012.
- 28 Covert, D. S., Charlson, R. J., and Ahlquist, N. C.: A study of the relationship of chemical
29 composition and humidity to light scattering by aerosols, *J. Appl. Meteorol.*, 11, 968–976, 1972.
- 30 Deng, Z. Z., Zhao, C. S., Ma, N., Liu, P. F., Ran, L., Xu, W. Y., Chen, J., Liang, Z., Liang, S.,
31 Huang, M. Y., Ma, X. C., Zhang, Q., Quan, J. N., Yan, P., Henning, S., Mildenerger, K.,
32 Sommerhage, E., Schäfer, M., Stratmann, F., and Wiedensohler, A.: Size-resolved and bulk
33 activation properties of aerosols in the North China Plain, *Atmos. Chem. Phys.*, 11, 3835–3846,
34 doi:10.5194/acp-11-3835-2011, 2011.
- 35 Dusek, U., G. P. Frank, L. Hildebrandt, J. Curtius, J. Schneider, S. Walter, D. Chand, F. Drewnick,
36 S. Hings, D. Jung, S. Borrmann, M. O. Andreae.: Size matters more than chemistry for
37 cloud-nucleating ability of aerosol particles. *Science*. 312: 1375-1378, 2006.
- 38 Ervens, B., M. Cubison, E. Andrews, G. Feingold, J. A. Ogren, J. L. Jimenez, P. DeCarlo, and A.

- 1 Nenes.: Prediction of cloud condensation nucleus number concentration using measurements of
2 aerosol size distributions and composition and light scattering enhancement due to humidity, *J.*
3 *Geophys. Res.*, 112, D10S32, doi:10.1029/2006JD007426, 2007.
- 4 Fierz-Schmidhauser, R., Zieger, P., Gysel, M., Kammermann, L., DeCarlo, P. F., Baltensperger,
5 U., and Weingartner, E.: Measured and predicted aerosol light scattering enhancement factors at
6 the high alpine site Jungfraujoch, *Atmos. Chem. Phys.*, 10, 2319-2333,
7 doi:10.5194/acp-10-2319-2010, 2010a.
- 8 Fierz-Schmidhauser, R., Zieger, P., Vaishya, A., Monahan, C., Bialek, J., O'Dowd, C. D.,
9 Jennings, S. G., Baltensperger, U., and Weingartner, E.: Light scattering enhancement factors in
10 the marine boundary layer (Mace Head, Ireland), *J. Geophys. Res.*, 115, D20204,
11 doi:10.1029/2009jd013755, 2010b.
- 12 Fierz-Schmidhauser, R., Zieger, P., Wehrle, G., Jefferson, A., Ogren, J. A., Baltensperger, U., and
13 Weingartner, E.: Measurement of relative humidity dependent light scattering of aerosols, *Atmos.*
14 *Meas. Tech.*, 3, 39–50, doi:10.5194/amt-3-39-2010, 2010c.
- 15 Fitzgerald, J., Hoppel, W., and Vietti, M.: The size and scattering coefficient of urban aerosol
16 particles at Washington, DC as a function of relative humidity, *J. Atmos. Sci.*, 39, 1838–1852,
17 1982.
- 18 Gasso, S., Hegg, D., Covert, D., Collins, D., Noone, K., Öström, E., Schmid, B., Russell, P.,
19 Livingston, J., Durkee, P., and Jonsson, H.: Influence of humidity on the aerosol scattering
20 coefficient and its effect on the upwelling radiance during ACE-2, *Tellus B*, 52, 546–567, 2000.
- 21 Hegg, D. A., Covert, D. S., Crahan, K., and Jonsson, H.: The dependence of aerosol
22 light-scattering on RH over the Pacific Ocean. *Geophys. Res. Lett.*, 29 (8), 1219,
23 doi:10.1029/2001GL014495, 2002.
- 24 IPCC: Climate Change 2007 – The Physical Science Basis, edited by: Solomon, S., Cambridge
25 Univ. Press, New York, 2007.
- 26 Khalizov, A. F., H. Xue, L. Wang, J. Zheng, and R. Zhang.: Enhanced Light Absorption and
27 Scattering by Carbon Soot Aerosol Internally Mixed with Sulfuric Acid, *J. Phys. Chem. A*, 113(6),
28 1066–1074, 2009.
- 29 Kim, J., Yoon, S.-C., Jefferson, A., and Kim, S.-W.: Aerosol hygroscopic properties during Asian
30 dust, pollution, and biomass burning episodes at Gosan, Korea, in April 2001, *Atmos. Environ.*, 40,
31 1550–1560, 2006.
- 32 Kotchenruther, R. and Hobbs, P.: Humidification factors of aerosols from biomass burning in
33 Brazil, *J. Geophys. Res.*, 103, 32081–32089, doi:10.1029/98JD00340, 1998.
- 34 Kotchenruther, R. A., Hobbs, P. V., Hegg, D. A.: Humidification factors for atmospheric aerosols
35 off the mid-Atlantic coast of the United States. *J. Geophys. Res.*, 104 (D2), 2239–2251, 1999.
- 36 Lance, S., Medina, J., Smith, J. N., and Nenes, A.: Mapping the operation of the dmt continuous
37 flow CCN counter, *Aerosol Sci. Tech.*, 40, 242-254, 2006.
- 38 Lesins, G., Chylek, P., Lohman, U.: A study of internal and external mixing scenarios and its effect

1 on aerosol optical properties and direct radiative forcing. *J. Geophys. Res.*, 107 (D10), 4094, doi:
2 10.1029/2001JD000973, 2002.

3 Li-Jones, X., Maring, H., and Prospero, J.: Effect of relative humidity on light scattering by
4 mineral dust aerosol as measured in the marine boundary layer over the tropical Atlantic Ocean, *J.*
5 *Geophys. Res.*, 103, 31113–31121, doi:10.1029/98JD01800, 1998.

6 Liu, H. J., C. S. Zhao, B. Nekat, N. Ma, A. Wiedensohler, D. van Pinxteren, G. Spindler, K.
7 Müller, and H. Herrmann.: Aerosol hygroscopicity derived from size-segregated chemical
8 composition and its parameterization in the North China Plain, *Atmos. Chem. Phys.*, 14,
9 2525–2539, doi:10.5194/acp-14-2525-2014, 2014.

10 Liu, P. F., Zhao, C. S., Göbel, T., Hallbauer, E., Nowak, A., Ran, L., Xu, W. Y., Deng, Z. Z., Ma, N.,
11 Mildenerger, K., Henning, S., Stratmann, F., and Wiedensohler, A.: Hygroscopic properties of
12 aerosol particles at high relative humidity and their diurnal variations in the North China Plain,
13 *Atmos. Chem. Phys.*, 11, 3479–3494, doi:10.5194/acp-11-3479-2011, 2011.

14 Malm, W. C., Day, D. E., Kreidenweis, S. M., Collett, J. L., and Lee, T.: Humidity-dependent
15 optical properties of fine particles during the big bend regional aerosol and visibility observational
16 study, *J. Geophys. Res.*, 108, 4279, 10.1029/2002jd002998, 2003.

17 Malm, W. C., and Day, D. E.: Estimates of aerosol species scattering characteristics as a function
18 of relative humidity, *Atmos. Environ.*, 35, 2845–2860, Doi: 10.1016/s1352-2310(01)00077-2,
19 2001.

20 Ma, N., Zhao, C. S., Nowak, A., Müller, T., Pfeifer, S., Cheng, Y. F., Deng, Z. Z., Liu, P. F., Xu, W.
21 Y., Ran, L., Yan, P., Göbel, T., Hallbauer, E., Mildenerger, K., Henning, S., Yu, J., Chen, L. L.,
22 Zhou, X. J., Stratmann, F., and Wiedensohler, A.: Aerosol optical properties in the North China
23 Plain during HaChi campaign: an in-situ optical closure study, *Atmos. Chem. Phys.*, 11,
24 5959–5973, doi:10.5194/acp-11-5959-2011, 2011.

25 Massling, A., Stock, M., Wehner, B., Wu, Z. J., Hu, M., Brüggemann, E., Gnauk, T., Herrmann,
26 H., and Wiedensohler, A.: Size segregated water uptake of the urban submicrometer aerosol in
27 Beijing, *Atmos. Environ.*, 43, 1578–1589, 2009.

28 McInnes, L., Bergin, M., Ogren, J., and Schwartz, S.: Apportionment of light scattering and
29 hygroscopic growth to aerosol composition, *Geophys. Res. Lett.*, 25, 513–516,
30 doi:10.1029/98GL00127, 1998.

31 Meier, J., Wehner, B., Massling, A., Birmili, W., Nowak, A., Gnauk, T., Brüggemann, E.,
32 Herrmann, H., Min, H., and Wiedensohler, A.: Hygroscopic growth of urban aerosol particles in
33 Beijing (China) during wintertime: A comparison of three experimental methods, *Atmos. Chem.*
34 *Phys.*, 9, 6865–6880, doi:10.5194/acp-9-6865-2009, 2009.

35 Mie, G.: Beiträge zur optik trüber Medien speziell kolloidaler Metallösungen, *Ann. Phys.*, 25,
36 377–445, 1908.

37 Nessler, R., Weingartner, E., and Baltensperger, U.: Adaptation of dry nephelometer measurements
38 to ambient conditions at the Jungfrauoch, *Environ. Sci. Technol.*, 39, 2219–2228, 2005.

1 Pagels, J., A. F. Khalizov, P. H. McMurry, and R. Y. Zhang.: Processing of Soot by Controlled
2 Sulphuric Acid and Water Condensation—Mass and Mobility Relationship, *Aerosol Sci. Technol.*,
3 43:7, 629-640, DOI: 10.1080/02786820902810685, 2009.

4 Pan, X. L., Yan, P., Tang, J., Ma, J. Z., Wang, Z. F., Gbaguidi, A., and Sun, Y. L.: Observational
5 study of influence of aerosol hygroscopic growth on scattering coefficient over rural area near
6 Beijing mega-city, *Atmos. Chem. Phys.*, 9, 7519–7530, doi:10.5194/acp-9-7519-2009, 2009.

7 Petters, M. D. and Kreidenweis, S. M.: A single parameter representation of hygroscopic growth
8 and cloud condensation nucleus activity, *Atmos. Chem. Phys.*, 7, 1961–1971,
9 doi:10.5194/acp-7-1961-2007, 2007.

10 Pilat M.J., and Charlson R.J.: Theoretical and optical studies of humidity effects on the size
11 distribution of hygroscopic aerosol. *J. Rech. Atmos.*, 1, 165–170, 1966.

12 Randriamiarisoa, H., Chazette, P., Couvert, P., Sanak, J., M'égie, G.: Relative humidity impact on
13 aerosol parameters in a Paris suburban area. *Atmos. Chem. Phys.*, 6, 1389–1407,
14 doi:10.5194/acp-6-1389-2006, 2006.

15 Ran, L., C. S. Zhao, W. Y. Xu, X. Q. Lu, M. Han, W. L. Lin, P. Yan, X. B. Xu, Z. Z. Deng, N. Ma,
16 P. F. Liu, J. Yu, W. D. Liang, and L. L. Chen.: VOC reactivity and its effect on ozone production
17 during the HaChi summer campaign. *Atmos. Chem. Phys.*, 11, 4657–4667,
18 doi:10.5194/acp-11-4657-2011, 2011.

19 Roberts, G. C. and Nenes, A.: A continuous-flow streamwise thermal-gradient CCN chamber for
20 atmospheric measurements, *Aerosol Sci. Tech.*, 39, 206-221, 2005.

21 Schwartz, S.: The Whitehouse Effect—Shortwave radiative forcing of climate by anthropogenic
22 aerosols: An overview, *J. Aerosol Sci.*, 27, 359–382, 1996.

23 Seinfeld, J. H. and Pandis, S. N.: Atmospheric Chemistry and Physics, John Wiley & Sons, Inc.,
24 New York, 1998.

25 Sheridan, P., Delene, D., and Ogren, J.: Four years of continuous surface aerosol measurements
26 from the Department of Energy's Atmospheric Radiation measurement Program Southern Great
27 Plains Cloud and Radiation Testbed site, *J. Geophys. Res.*, 106, 20735–20747, 2001.

28 Wang, W., Rood, M., Carrico, C., Covert, D., Quinn, P., and Bates, T.: Aerosol optical properties
29 along the northeast coast of North America during the New England Air Quality Study –
30 Intercontinental Transport and Chemical Transformation 2004 campaign and the influence of
31 aerosol composition, *J. Geophys. Res.*, 112, D10S23, doi:10.1029/2006JD007579, 2007.

32 Xu, W. Y., Zhao, C. S., Ran, L., Deng, Z. Z., Liu, P. F., Ma, N., Lin, W. L., Xu, X. B., Yan, P.,
33 He, X., Yu, J., Liang, W. D., and Chen, L. L.: Characteristics of pollutants and their correlation to
34 meteorological conditions at a suburban site in the North China Plain, *Atmos. Chem. Phys.*, 11,
35 4353-4369, 2011.

36 Yan, P., Pan, X., Tang, J., Zhou, X., Zhang, R., and Zeng, L.: Hygroscopic growth of aerosol
37 scattering coefficient: A comparative analysis between urban and suburban sites at winter in
38 Beijing, *Particuology*, 7, 52–60, 2009.

- 1 Yuan, C.-S., Lee, C.-G., Liu, S.-H., Chang, J.-C., Yuan, C. and Yang, H.-Y.: Correlation of
2 atmospheric visibility with chemical composition of Kaohsiung aerosols. *Atmos. Res.*, 82:
3 663–679, 2006.
- 4 Zieger, P., Fierz-Schmidhauser, R., Gysel, M., Ström, J., Henne, S., Yttri, K. E., Baltensperger, U.,
5 and Weingartner, E.: Effects of relative humidity on aerosol light scattering in the Arctic, *Atmos.*
6 *Chem. Phys.*, 10, 3875–3890, doi:10.5194/acp-10-3875-2010, 2010.
- 7 Zieger, P., Weingartner, E., Henzing, J., Moerman, M., de Leeuw, G., Mikki, J., Ehn, M., Petäjä,
8 T., Clément, K., van Roozendaal, M., Yilmaz, S., Frieß, U., Irie, H., Wagner, T., Shaiganfar, R.,
9 Beirle, S., Apituley, A., Wilson, K., and Baltensperger, U.: Comparison of ambient aerosol
10 extinction coefficients obtained from in-situ, MAX-DOAS and LIDAR measurements at Cabauw,
11 *Atmos. Chem. Phys.*, 11, 2603–2624, doi:10.5194/acp-11-2603-2011, 2011.
- 12 Zieger, P., Kienast-Sjögren, E., Starace, M., von Bismarck, J., Bukowiecki, N., Baltensperger, U.,
13 Wienhold, F. G., Peter, T., Ruhtz, T., Collaud Coen, M., Vuilleumier, L., Maier, O., Emili, E.,
14 Popp, C., and Weingartner, E.: Spatial variation of aerosol optical properties around the
15 high-alpine site Jungfraujoch (3580 m a.s.l.), *Atmos. Chem. Phys.*, 12, 7231-7249,
16 doi:10.5194/acp-12-7231-2012, 2012.
- 17 Zieger, P., R. Fierz-Schmidhauser, E. Weingartner, and U. Baltensperger.: Effects of relative
18 humidity on aerosol light scattering: results from different European sites. *Atmos. Chem. Phys.*, 13,
19 10609–10631, doi:10.5194/acp-13-10609-2013, 2013.
- 20

1

2 **Table 1.** The measured $f(\text{RH})$ at given RHs, along with the simultaneously measured
3 5-minute mean dry σ_{sc} , under different pollution levels (mean value \pm standard
4 deviation (1σ)). “Average” here represents the overall mean value for the whole $f(\text{RH})$
5 measurement period.

		$f(\text{RH})$		
		Average	Clean	Polluted
	$\sigma_{sc, dry} (\text{Mm}^{-1})$	484.5 ± 458.1	44.7 ± 21.2	894.8 ± 410.9
	50% $\pm 1\%$	1.08 ± 0.09	1.03 ± 0.06	1.12 ± 0.08
	55% $\pm 1\%$	1.12 ± 0.09	1.04 ± 0.07	1.16 ± 0.06
	60% $\pm 1\%$	1.19 ± 0.13	1.09 ± 0.06	1.19 ± 0.11
	65% $\pm 1\%$	1.21 ± 0.15	1.12 ± 0.10	1.29 ± 0.13
RH	70% $\pm 1\%$	1.36 ± 0.15	1.20 ± 0.09	1.34 ± 0.11
	75% $\pm 1\%$	1.40 ± 0.17	1.34 ± 0.15	1.48 ± 0.14
	80% $\pm 1\%$	1.58 ± 0.22	1.46 ± 0.15	1.58 ± 0.19
	85% $\pm 1\%$	1.66 ± 0.23	1.57 ± 0.16	1.70 ± 0.24
	90% $\pm 1\%$	1.90 ± 0.27	1.71 ± 0.26	1.93 ± 0.21

6

7

1

2 **Table 2.** The polynomial segment fitting parameter results of $f(RH)$ for different
 3 pollution cases ($f(RH) = a \cdot (1 - RH)^{-b \cdot RH}$).

RH Ranges	Fitting parameters	Average ($R^2=0.81$)	Clean ($R^2=0.75$)	Polluted ($R^2=0.84$)
RH < 60%	a	1.02 ±0.01	1.00 ±0.01	1.03 ±0.01
	b	0.21 ±0.02	0.10 ±0.03	0.26 ±0.03
RH ≥ 60%	a	1.08 ±0.01	1.00 ±0.01	1.14 ±0.01
	b	0.26 ±0.003	0.26 ±0.01	0.25 ±0.01

4

5

1

2 **Table 3.** Statistical results of the mean hygroscopicity parameter, κ , derived from
 3 $f(\text{RH})$ observations (n denotes the sample size corresponding to each case).

Statistics	κ			
	Average ($n=117$)	Clean ($n=24$)	Polluted ($n=50$)	
Mean	0.14	0.11	0.13	
Std	0.05	0.03	0.04	
Min	0.06	0.06	0.06	
Max	0.28	0.16	0.28	
	5th	0.07	0.06	0.09
	10th	0.09	0.07	0.09
	25th	0.10	0.09	0.10
Percentile	50th	0.13	0.11	0.14
	75th	0.17	0.15	0.15
	90th	0.21	0.15	0.17
	95th	0.25	0.16	0.21

4

5

1

2

Table 4. Fitting parameters of the linear regression results in Fig.6.

SS	Real-time κ				Overall mean κ			
	All		$N_{CCN} < 5000 \text{ cm}^{-3}$		All		$N_{CCN} < 5000 \text{ cm}^{-3}$	
	b	R^2	b	R^2	b	R^2	b	R^2
0.07%	0.62	0.74	0.60	0.75	0.63	0.82	0.61	0.84
0.10%	0.88	0.84	0.76	0.88	0.89	0.90	0.84	0.90
0.20%	1.04	0.84	0.66	0.82	1.06	0.88	0.69	0.90
0.40%	1.05	0.87	0.56	0.80	1.08	0.90	0.68	0.88
0.80%	1.24	0.90	0.77	0.51	1.26	0.91	0.89	0.50

3

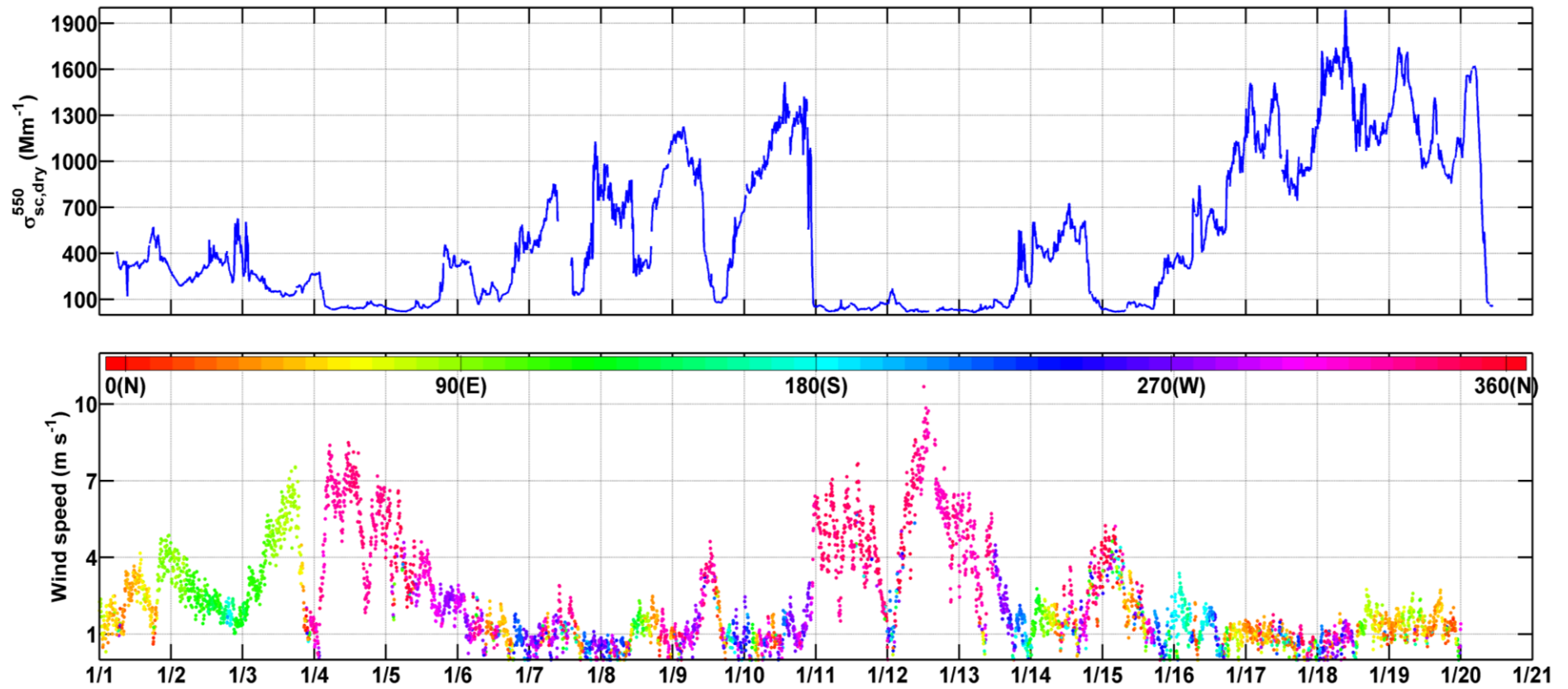


Fig.1 Every 5-minute mean aerosol light scattering coefficients at 550 nm wavelength ($\sigma_{sc,dry}^{550}$) under dry conditions, along with the wind parameter during the $f(RH)$ observation periods (colored dots in the lower panel represent the corresponding wind directions).

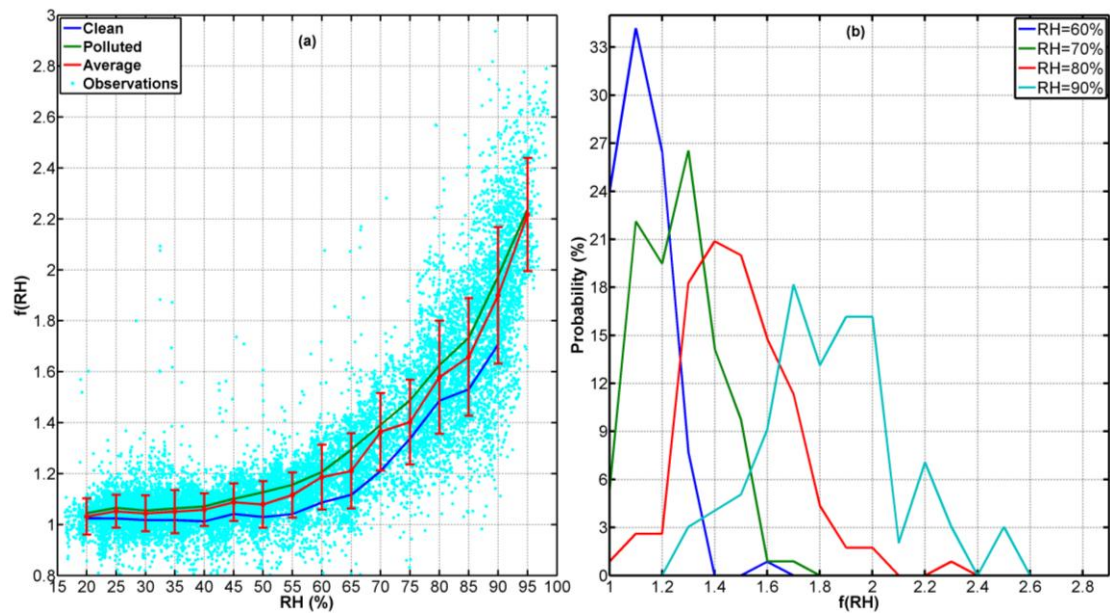


Fig.2 (a) The mean $f(\text{RH})$ under clean, average (mean $\pm 1\sigma$), and polluted conditions. The scattered dots represent the in situ observational results, and lines denote the mean $f(\text{RH})$ values corresponding to different pollution cases. (b) Probability distributions (PDF) of $f(\text{RH})$ at four specific RHs (RH = 60%, 70%, 80%, and 90%, respectively).

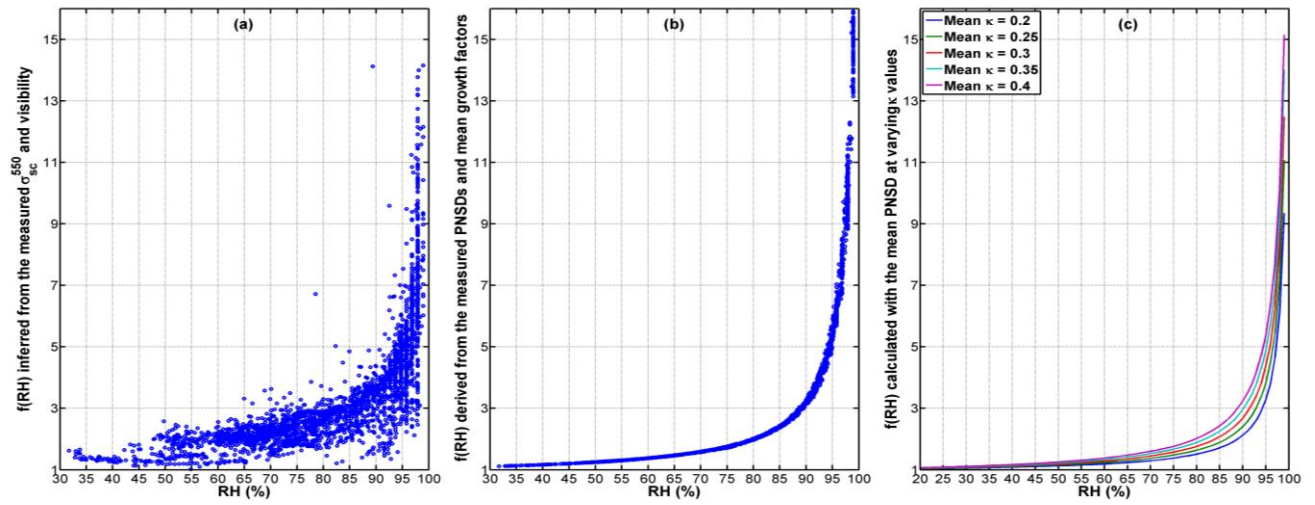


Fig.3 Sensitivity tests of (b) the PNSD and (c) hygroscopicity parameter κ to $f(RH)$ based on in situ measured PNSDs and aerosol hygroscopic growth factors during the HaChi summer campaign. The subplot (a) represented the measured $f(RH)$ derived from the in situ observations.

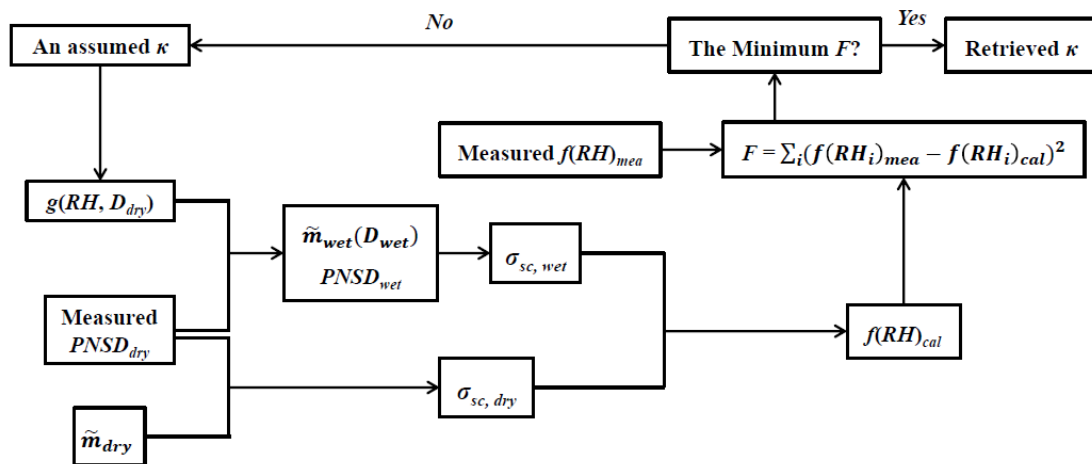


Fig.4 The flow chart of the retrieval algorithm for aerosol hygroscopicity parameter, κ .

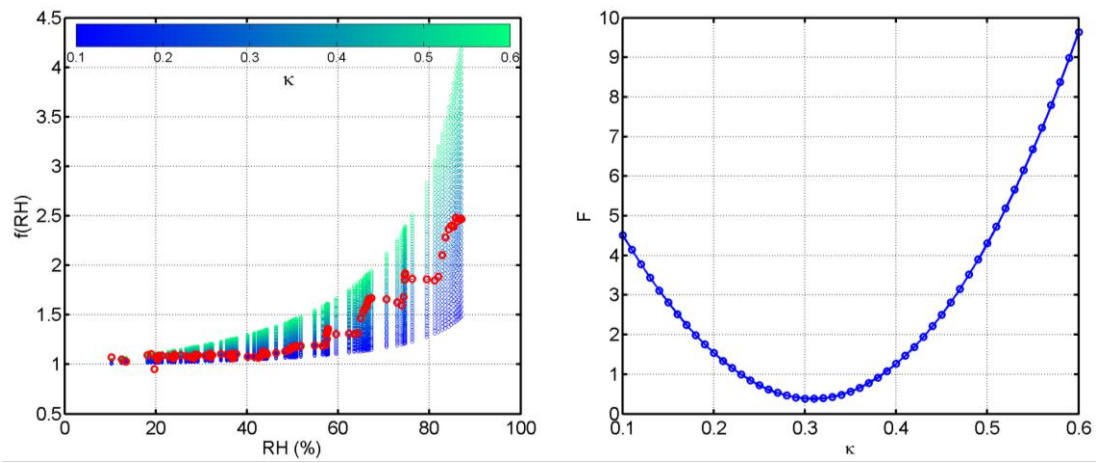


Fig.5 One case of the calculated κ . In the left panel, the red circles stand for the valid $f(\text{RH})$ observations during a humidifying cycle, while the gradient colored ones represent the corresponding $f(\text{RH})$ calculated with an assumed specific κ . The right panel shows the discriminant coefficient, F , corresponding to each assumed κ .

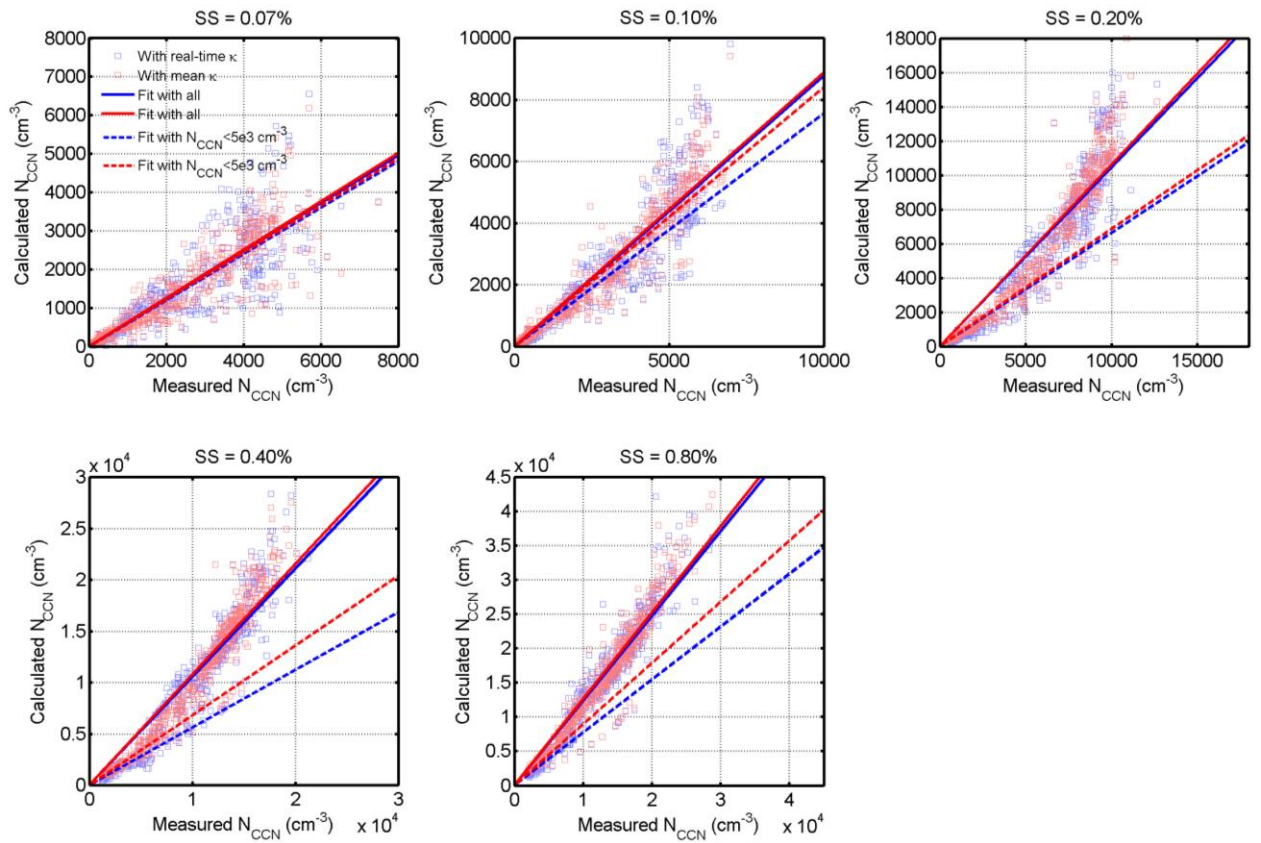


Fig.6 Comparison between in situ measured N_{CCN} and calculated N_{CCN} at five specific supersaturations. Blue squares represent the estimated N_{CCN} with the real-time κ , while the red ones denote the estimation results with the overall mean κ during the entire $f(RH)$ measurements. The blue and red solid lines stand for the fitting results of all the N_{CCN} samples corresponding to the two kinds of κ , respectively; while the blue and red dashed lines are the fitting results in the case of measured $N_{CCN} < 5000 \text{ cm}^{-3}$.