

This discussion paper is/has been under review for the journal Atmospheric Chemistry and Physics (ACP). Please refer to the corresponding final paper in ACP if available.

**Contrasting organic
aerosol particles
from boreal and
tropical forests**

C. J. Ebben et al.

Contrasting organic aerosol particles from boreal and tropical forests during HUMPPA-COPEC-2010 and AMAZE-08 using coherent vibrational spectroscopy

C. J. Ebben¹, I. S. Martinez¹, M. Shrestha¹, A. M. Buchbinder¹, A. L. Corrigan², A. Guenther³, T. Karl³, T. Petäjä⁴, W. W. Song⁵, S. R. Zorn⁶, P. Artaxo⁷, M. Kulmala⁴, S. T. Martin⁶, L. M. Russell², J. Williams⁵, and F. M. Geiger¹

¹Department of Chemistry, Northwestern University, 2145 Sheridan Road, Evanston, IL 60208, USA

²Scripps Institution of Oceanography and the University of California, San Diego, La Jolla, CA 92093, USA

³Earth System Laboratory, National Center for Atmospheric Research, Boulder, CO 80307, USA

⁴Department of Physics, 00014 University of Helsinki, Finland

⁵Max Planck Institute for Chemistry, 55128 Mainz, Germany

⁶School of Engineering and Applied Sciences & Department of Earth and Planetary Sciences, Harvard University, 29 Oxford Street, Cambridge, MA 02138, USA

16933

Title Page

Abstract

Introduction

Conclusions

References

Tables

Figures

⏪

⏩

◀

▶

Back

Close

Full Screen / Esc

Printer-friendly Version

Interactive Discussion



Contrasting organic aerosol particles from boreal and tropical forests

C. J. Ebben et al.

[Title Page](#)[Abstract](#)[Introduction](#)[Conclusions](#)[References](#)[Tables](#)[Figures](#)[⏪](#)[⏩](#)[◀](#)[▶](#)[Back](#)[Close](#)[Full Screen / Esc](#)[Printer-friendly Version](#)[Interactive Discussion](#)

⁷ Institute of Physics, University of São Paulo, Rua do Matão, Travessa R, 187, 05508-090, São Paulo, Brazil

Received: 27 May 2011 – Accepted: 2 June 2011 – Published: 17 June 2011

Correspondence to: F. M. Geiger (geigerf@chem.northwestern.edu)

Published by Copernicus Publications on behalf of the European Geosciences Union.

Abstract

We present the vibrational sum frequency generation spectra of organic particles collected in a boreal forest in Finland and a tropical forest in Brazil. These spectra are compared to those of secondary organic material produced in the Harvard Environmental Chamber. By comparing coherent vibrational spectra of a variety of terpene and olefin reference compounds, along with the secondary organic material synthesized in the environmental chamber, we show that submicron aerosol particles sampled in Southern Finland during HUMPPA-COPEC-2010 are composed to a large degree of material similar in chemical composition to synthetic α -pinene-derived material. For material collected in Brazil as part of AMAZE-08, the organic component is found to be chemically complex in the coarse mode but highly uniform in the fine mode. When combined with histogram analyses of the isoprene and monoterpene abundance recorded during the HUMPPA-COPEC-2010 and AMAZE-08 campaigns, the findings presented here indicate that if air is rich in monoterpenes, submicron-sized secondary aerosol particles that form under normal OH and O₃ concentration levels can be described in terms of their hydrocarbon content as being similar to α -pinene-derived model secondary organic aerosol particles. If the isoprene concentration dominates the chemical composition of organic compounds in forest air, then the hydrocarbon component of secondary organic material in the submicron size range is not simply well-represented by that of isoprene-derived model secondary organic aerosol particles but is more complex. Throughout the climate-relevant size range of the fine mode, however, we find that the chemical composition of the secondary organic particle material from such air is invariant with size, suggesting that the particle growth does not change the chemical composition of the hydrocarbon component of the particles in a significant way.

Contrasting organic aerosol particles from boreal and tropical forests

C. J. Ebben et al.

Title Page

Abstract

Introduction

Conclusions

References

Tables

Figures



Back

Close

Full Screen / Esc

Printer-friendly Version

Interactive Discussion



1 Introduction

Plants in boreal and tropical forests emit pinene, isoprene, and related terpenes, and these volatile compounds undergo atmospheric oxidation reactions. A portion of the oxidation products partitions into the particle phase as secondary organic material. In general, isoprene is the main gas phase emission found in tropical forests, whereas α -pinene is often the most abundant biogenic volatile organic compound in boreal forests. These two types of forest were the focus of two recent field campaigns, namely HUMPPA-COPEC-2010, which was conducted in Southern Finland (Williams et al., 2011), and AMAZE-08, which was conducted in the Central Amazon Basin (Martin et al., 2010). Here, we show how the chemical identity of the aerosol particle phase sampled there can be evaluated directly, and without the need for solid phase extraction or other sample manipulation, with a table-top laser spectroscopic method that probes sub-nanogram amounts of particle material collected on impactor and filter samples. Specifically, we use the coherent second-order nonlinear vibrational spectroscopy sum frequency generation (SFG) (Zhu et al., 1986; Guyot-Sionnest et al., 1987) to study organic aerosol particles collected in Southern Finland and the Central Amazon Basin and compare the results to SFG responses obtained from synthetic organic aerosol particles prepared in an environmental chamber. We also present vibrational SFG spectra of hydrocarbon reference compounds relevant for the study of biogenic volatile organic compounds and their conversion to secondary organic aerosol particles.

SFG has become a popular method for addressing scientific questions regarding heterogeneous atmospheric chemistry in laboratory model systems consisting of surfaces of flat oxide solids functionalized with atmospherically relevant molecules (Voges, 2005; Voges et al., 2005, 2007; Geiger, 2009; Stokes et al., 2009a,b,c), and of liquids, notably water (Allen et al., 1999; Liu et al., 2004; Mucha et al., 2005; Gopalakrishnan et al., 2006; Tarbuck et al., 2006; Voss et al., 2007). Hallmarks of the method are an exquisite sensitivity to molecular structure within complex environments, a very high selectivity for environments where symmetry is broken, and intrinsic heterodyne

Contrasting organic aerosol particles from boreal and tropical forests

C. J. Ebben et al.

Title Page

Abstract

Introduction

Conclusions

References

Tables

Figures



Back

Close

Full Screen / Esc

Printer-friendly Version

Interactive Discussion



detection of weak vibrational responses, which allows for the analysis of nano- and sub-nanogram amounts of sample. SFG should therefore be an appropriate method of choice for studying the chemical composition of natural and synthetic terpene-derived aerosol particles, which we test here on organic aerosol particles sampled in Southern Finland and in the Central Amazon Basin.

The particles from Southern Finland were collected during HUMPPA-COPEC measurements, which were conducted from 12 July 2010 to 12 August 2010 at the Boreal forest research station SMEAR II near Hyytiälä, Finland (Hari et al., 2005). The measurement period was characterized by anomalously high temperature (ten days between 25 and 32 °C), making the campaign relevant for the analysis of possible future climates. The presence of Scots Pine, Norway Spruce, birch, conifers, willows, and aspen make the site representative of the Boreal forest ecosystem, with the sum of α - and β -pinene and carene concentrations exceeding isoprene concentrations in 287 out of 341 measurements. OH concentrations ranged from 0.2 to $3 \times 10^6 \text{ cc}^{-1}$ and ozone concentrations were high, ranging from 20 to 70 ppb (see Table 1). The particles from the Central Amazon Basin were collected following AMAZE-08, from 9 April 2008 to 17 April 2008, principally at research tower TT34, which is located approximately 60 km NNW of Manaus, Brazil. The air sampled during the campaign was pristine, as the work was carried out during the wet season and outside of appreciable influence of biomass burning events or inputs from African dust (Martin et al., 2010). With concentrations of up to 8 ppb, isoprene was the dominant terpene in the gas phase during AMAZE-08, while α -pinene represented, on average, half of the remaining terpene budget (see Table 1). Three other studies provide evidence that leads us to conclude that OH concentrations are generally high enough to dominate the oxidative chemistry of the terpenes (Karl et al., 2007; Lelieveld et al., 2008). The negligible anthropogenic contributions make the AMAZE-08 measurements relevant for comparing the HUMPPA-COPEC field measurements against the production of nearly pure biogenic aerosol particles under preindustrial conditions in a tropical forest. In addition, the extensive datasets available for the particle and the gas phases of atmospheric

Contrasting organic aerosol particles from boreal and tropical forests

C. J. Ebben et al.

Title Page

Abstract

Introduction

Conclusions

References

Tables

Figures

⏪

⏩

◀

▶

Back

Close

Full Screen / Esc

Printer-friendly Version

Interactive Discussion



aerosol sampled at the two locations provide key fundamental information for introducing coherent vibrational laser spectroscopic methods to atmospheric chemistry and physics with the goal of deepening our understanding of the formation, microphysics, and fate of aerosol particles in tropical vs. boreal forests.

2 Measurements

2.1 Particle sampling

The HUMPPA-COPEC-2010 filters studied in the work presented here were loaded and exposed to ambient air from an inlet for a period of 24 h starting around 06:00 a.m. local time on 17, 21 and 23 July 2010. Conditions during those three days at the site were characterized by clear weather, negligible precipitation, and an absence of biomass burning tracers. NOAA HYSPLIT model calculations of 72-h back trajectories indicate that the sampled air masses originated predominantly from the N to NW, i.e. North-western Scandinavia, for 17 and 23 July, but from the SW, i.e. Northwestern Europe, for 21 July 2010. In order to collect particulate matter smaller than 1 μm , a cyclone was used, after which the particles were sent through a dryer and collected onto Teflon air sampling membranes (PTFE, VWR, 37 mm, 1 mm pores, catalog number: 28150-400) using a controlled flow of 16.7 standard liters per minute (SLPM). This resulted in organic mass loadings, determined by FTIR spectroscopy, of 21.8, 19.5, and 2.5 μg for the three filters studied here. The first two filters were collected during a time when the sum of the gas phase concentrations of isoprene, α - and β -pinene, and carene were as high as 1.55 ppb and 0.36 ppb, respectively. Specifically for the day of the first filter (17 July 2010), sawmill activity (Eerdekens et al., 2009) near the sampling site resulted in monoterpene concentrations six times larger than background. In contrast, the last filter was collected during a time when the terpene concentration was near 0.05 ppb, the lowest during the campaign, with all available data suggesting that the last filter sampled air during a nucleation event. In all cases, the sum of α - and

Contrasting organic aerosol particles from boreal and tropical forests

C. J. Ebben et al.

Title Page

Abstract

Introduction

Conclusions

References

Tables

Figures

⏪

⏩

◀

▶

Back

Close

Full Screen / Esc

Printer-friendly Version

Interactive Discussion



β -pinene concentrations exceeded that of isoprene and carene by a factor of up to two.

The aerosol particles collected in the Central Amazon Basin were sampled using a micro-orifice uniform-deposit impactor (MOUDI, Marple et al., 1991) loaded with Whatman Nucleopore filters having 0.4 μm pore size. The MOUDI samples studied in this work were collected one month after the conclusion of AMAZE-08 during a time of 8 d (9 April 2008 to 17 April 2008). Conditions during the time of MOUDI sampling were characterized by daily cloud cover and regular thunderstorms, with northeasterly winds dominating. NOAA HYSPLIT backtrajectory calculations indicate the air samples during AMAZE-08 originated mainly out of the NE, covering roughly 2000 km of pristine tropical forest prior to arrival at tower TT34 (Martin et al., 2010). There was minimal input from biomass burning or African dust during this time (Martin et al., 2010). The analysis of aerosol particles sampled during measurements that followed the AMAZE-08 campaign indicates that the chemical composition of the aerosol particle phase across the fine and the coarse modes was consistent during the 2008 wet season, which includes the months of February, March, and April. It is therefore reasonable to assume that the gas phase concentration and speciation conditions determined during AMAZE-08, during which isoprene concentrations reached up to 8 ppb, while α - and β -pinene, d-limonene, cymene, camphene, sabinene, ocimene, cymenene, myrcene, tricyclene, carene, and phellandrene were present at five to ten times lower concentrations, are applicable to the time of MOUDI sampling. The 50 % aerodynamic-diameter cutoff points for the various MOUDI stages are, after an 18-micron cut-point inlet, 10.0, 5.6, 3.2, 1.8, 1.0, 0.6, 0.3, 0.2 and 0.1 μm , followed by an after-filter that collects the remaining material. The MOUDI samples contained 1.016, 0.374, 0.257, 0.494, 0.150, 0.084, and 0.189 mg of material for the 3.2, 1.8, 1.0, 0.6, 0.3, 0.2 and 0.1 μm size ranges. The fraction of elemental carbon, a marker for biomass burning, is 63.0, 8.5, 3.2, 1.3, 16.0, 6.4, and 0.3 % of the collected mass on each MOUDI stage for those size ranges, respectively.

Contrasting organic aerosol particles from boreal and tropical forests

C. J. Ebben et al.

Title Page

Abstract

Introduction

Conclusions

References

Tables

Figures

⏪

⏩

◀

▶

Back

Close

Full Screen / Esc

Printer-friendly Version

Interactive Discussion



2.2 Synthesis of secondary organic aerosol particle model compounds from α -pinene and isoprene

As a point of comparison to the natural samples from the Central Amazon Basin and Southern Finland, we prepared synthetic model compounds from the oxidation of isoprene (Air Liquide, 2-methyl-1,3 butadiene, 50 ppm \pm 5 %, N₂ balanced) and α -pinene (Aldrich, (+)- α -Pinene, 98 % enantiomeric excess and 98.5 % to 99.7 % chemical purity) in the Harvard Environmental Chamber (Shilling et al., 2008). The chamber was operated as a continuous-flow tank reactor using inorganic seed particles that were produced by nebulizing an ammonium sulfate solution (Sigma TraceSELECT, 99.9999 %) with an atomizer (TSI, Model 3076). The polydisperse aerosol produced by the atomizer was first diffusion-dried to < 10 % relative humidity to dry the particles and then size selected by a differential mobility analyzer (DMA; TSI, Model 3070). The temperature was kept constant at 25.2 °C \pm 0.2 °C.

For the preparation of isoprene-derived organic aerosol particle models, monodisperse seed particles of 50 nm diameter were injected into the chamber, followed by injection of hydrogen peroxide (H₂O₂) as an OH precursor by bubbling Nitrogen (Airgas, Ultra High Purity Grade (5.0)) through a gas-washing bottle filled with a 50 % hydrogen peroxide solution (Sigma-Aldrich, 50 wt. % in H₂O). (CAUTION: hydrogen peroxide can be explosive. Care needs to be taken as outlined in the MSDS when working with this compound.) The H₂O₂ concentration in the chamber was monitored using an ozone instrument. Apparent ozone concentrations as an indicator for the H₂O₂ were around 76 ppb \pm 14 ppb (one standard deviation). Under the experimental conditions, the fraction of ozone produced as a byproduct in the chamber is small compared to the H₂O₂ concentration in the gas phase. The experimental runs were initiated once the concentrations of H₂O₂, terpene, seed particles, and the relative humidity were in steady state by turning on an array of UV lights in the chamber (BL350 OSRAM having 350 nm peak output) to begin the production of OH radicals (7×10^6 cm⁻³, Chen et al., 2011) from H₂O₂ photolysis. The resultant photo-oxidation of isoprene led to reaction cascades

Contrasting organic aerosol particles from boreal and tropical forests

C. J. Ebben et al.

[Title Page](#)[Abstract](#)[Introduction](#)[Conclusions](#)[References](#)[Tables](#)[Figures](#)[⏪](#)[⏩](#)[◀](#)[▶](#)[Back](#)[Close](#)[Full Screen / Esc](#)[Printer-friendly Version](#)[Interactive Discussion](#)

Contrasting organic aerosol particles from boreal and tropical forests

C. J. Ebben et al.

Title Page

Abstract

Introduction

Conclusions

References

Tables

Figures

⏪

⏩

◀

▶

Back

Close

Full Screen / Esc

Printer-friendly Version

Interactive Discussion



that led to the formation of organic mass on the seed particles. After reaching steady state with respect to particle formation, conditions in the chamber were kept stable for several days, allowing sampling of filters for up 96 h with a flow rate of approximately 8 SLPM. During this time period the humidity inside the chamber was $40.0\% \pm 0.8\%$ and the temperature was kept constant at $25^\circ\text{C} \pm 1^\circ\text{C}$. NO and NO_x concentrations were below the detection limit of 1 ppb (Teledyne NO_x analyzer) at all times.

The α -pinene-derived particles were produced from the oxidation of 23 ± 2 ppb α -pinene stereoisomers and 300 ± 15 ppb of ozone at $25.0 \pm 0.1^\circ\text{C}$, $40 \pm 1\%$ relative humidity, and low NO_x (< 1 ppb). The particles grew to a geometric mean diameter of 93 nm with a geometric standard deviation of 1.57 nm on ammonium sulfate seed particles that had an initial geometric mean diameter of 50 nm with a geometric standard deviation of 1.23 nm during a period of at least 24 h. This time was chosen because properties of chamber-generated aerosol particles differ markedly from ambient particles if not left to process for a such an amount of time (Holzinger et al., 2010). The organic particle mass concentration was $16 \mu\text{g m}^{-3}$. The particles were collected for 48 h on Teflon filters (Sartorius, PTFE, part # 11807-47-N, 200 nm pore size), from the continuous outflow of the chamber at a sampling flow of 6 SLPM. The isoprene-derived particles were produced with an initial isoprene concentration of 200 ppb, and more than half of the isoprene reacted as verified by GC-FID measurements. This experiment used 50 nm seed particles, and the geometric mean diameter of the particles exiting the chamber was around 130 nm, with an organic particle mass concentration of $(28.2 \pm 3.7) \mu\text{g m}^{-3}$. For control samples, particles were removed prior to sampling by the use of a HEPA filter (Pall HEPA capsule, part #12144). Studies using filter blanks were carried out as well.

2.3 SFG theory

Surfaces or interfaces are noncentrosymmetric media in which two incident electric fields (E-fields) can generate a new E-field oscillating at the sum of the frequencies of the two incident E-fields without contribution from the centrosymmetric bulk phases adjacent to the surface or interface under investigation. SFG resonance enhancement occurs when the oscillators of interest are associated with a frequency that matches any of the frequencies of the three E-fields. Vibrational SFG spectra are obtained by overlapping visible (typically 800 nm) and infrared laser pulses at a sample of interest in space and time and recording the SFG signal intensity, which, depending on the wavelength of the infrared laser pulse, occurs between 600 and 700 nm. Polarization selection is important in the experiments, and our current work uses a polarization combination in which we sample the component of the vibrational transition dipole moments that is aligned along the surface normal (Esenturk et al., 2004) because it provided the greatest signal-to-noise in the acquired spectra. Equation (1) is relevant for determining the magnitude of the SFG response in our experiments:

$$I_{\text{SFG}} \propto \left| \chi_{\text{NR}}^{(2)} e^{i\gamma_{\text{NR}}} + \sum_{\nu=1}^n \chi_{R\nu}^{(2)} e^{i\gamma_{\nu}} \right|^2 I_{\text{vis}} I_{\text{IR}} \quad (1)$$

Here, I_{SFG} is the intensity of the SFG signal and I_{vis} and I_{IR} are the intensities of the visible and IR light fields, respectively. The square modulus contains the sum of non-resonant and resonant contributions to the second-order susceptibility, $\chi_{\text{NR}}^{(2)}$ and $\chi_{R\nu}^{(2)}$, respectively, the latter of which is summed over all vibrational modes, ν , while γ represents the phase factors associated with both the non-resonant background and the vibrational modes. In general, $\chi_{R\nu}^{(2)}$ is modeled as the product of the number of oscillators in the noncentrosymmetric environment that yields signal, N_{ads} , and the molecular hyperpolarizability, β_{ν} , averaged over all molecular orientations of the oscillators (Eq. 2):

Contrasting organic aerosol particles from boreal and tropical forests

C. J. Ebben et al.

Title Page

Abstract

Introduction

Conclusions

References

Tables

Figures

⏪

⏩

◀

▶

Back

Close

Full Screen / Esc

Printer-friendly Version

Interactive Discussion



$$\chi_{Rv}^{(2)} = N_{\text{ads}} \langle \beta_v \rangle \quad (2)$$

As discussed in the previous paragraph, the value of the molecular hyperpolarizability increases when the frequency of the incoming IR pulse matches a vibrational transition intrinsic to the molecular species of interest. The orientational averaging is important because it shows that the SFG response of oscillators with a non-zero molecular hyperpolarizability can be zero if they are randomly oriented in three dimensions, such as the bulk of a gas or an isotropic liquid. At the boundaries of such environments symmetry is broken, molecules may have a net orientation, and nonlinear optical signals can be generated. In such cases, the distribution of molecular orientations of a given set of oscillators can be readily determined using SFG (Esenturk et al., 2004; Wang et al., 2005; Weeraman et al., 2006; Chen et al., 2007; Tyrode et al., 2008).

2.4 Laser system and data acquisition and sample cells

As shown in Fig. 1a, we use a broadband infrared source for our SFG experiments (Voges, 2005; Voges et al., 2007; Hayes et al., 2009; Stokes et al., 2009a,c). Briefly, a regeneratively amplified Ti:Sapphire laser (Spitfire Pro, Spectra Physics) produces ~ 120 fsec pulses of 800 nm wavelength at a 1 kHz repetition rate. The beam is passed through a 50/50 beam splitter, and half is used to pump an optical parametric amplifier (OPA-800CF, difference-frequency mixing option, Spectra Physics) in order to generate a broadband (~ 140 cm⁻¹ FWHM) IR pulse centered at ~ 3.4 μm, which is used to probe the C-H stretching region. The IR beam is focused onto the sample by a BaF₂ lens (ISP Optics). The remaining 800 nm beam passes through a home-built delay stage to ensure it is temporally overlapped with the IR pulse when it reaches the sample. The 800 nm beam then passes through a narrow band-pass filter (F1.1-800.0-UNBLK-1.00, CVI Melles Griot), which spectrally narrows the 800 nm pulses to allow for a spectral resolution of around 10 cm⁻¹ and an achromatic half-waveplate (MWPAA2-12-700-1000, Karl Lambrecht Corp.), which is used to rotate the plane of

Contrasting organic aerosol particles from boreal and tropical forests

C. J. Ebben et al.

[Title Page](#)[Abstract](#)[Introduction](#)[Conclusions](#)[References](#)[Tables](#)[Figures](#)[⏪](#)[⏩](#)[◀](#)[▶](#)[Back](#)[Close](#)[Full Screen / Esc](#)[Printer-friendly Version](#)[Interactive Discussion](#)

Contrasting organic aerosol particles from boreal and tropical forests

C. J. Ebben et al.

[Title Page](#)[Abstract](#)[Introduction](#)[Conclusions](#)[References](#)[Tables](#)[Figures](#)[⏪](#)[⏩](#)[◀](#)[▶](#)[Back](#)[Close](#)[Full Screen / Esc](#)[Printer-friendly Version](#)[Interactive Discussion](#)

polarization before reaching the sample. The s-polarized 800 nm beam and p-polarized IR beam are incident on the sample interface at angles of 45° and 60° from normal and pulse energies of 0.1–2.0 μJ and 1 μJ, respectively. The polarization of the output SFG beam is selected by a Glan laser polarizer (GL15, Thorlabs), and a half-waveplate (MWPA2-12-400-700, Karl Lambrecht Corp.) rotates the SFG polarization in order to maximize the signal at the detector. A 600 nm long-pass filter and an 800 nm notch filter (Notch Plus Filter, Kaiser Optical Systems, Inc.) are used to remove output light resulting from processes other than SFG. A spectrograph (Acton Research) coupled to a liquid nitrogen cooled, back-thinned, charge coupled device camera (Roper Scientific, 1340 × 100 pixels) is used to detect the SFG signal. We account for the optical scatter of the 800 nm upconverter by blocking the IR input and collecting background spectra, which are subtracted from the SFG spectra. All SFG spectra are normalized to the non-resonant SFG spectrum of a gold-coated IR grade fused silica window, using a hybrid broadband-scanning method (Esenturk et al., 2004) to account for the line shape of the incident broadband IR pulse. Spectra are calibrated using the SFG spectrum of a 70 μm thick polystyrene film, which is placed in front of the IR beam, and the proper power dependence of the SFG signal yield on input power is accounted for. We emphasize that the use of 120 fsec laser pulses allows for the study of the atmospheric aerosol material without optical or thermal damage.

SFG experiments probing the reference hydrocarbon gas species at the surfaces of oxide substrates were performed using a custom-built chamber consisting of a fused silica or α-alumina window (ISP Optics, IR grade) clamped upon a Teflon cell holding μL amounts of liquid hydrocarbon with a void space above it which fills with the equilibrium vapor pressure of the hydrocarbon molecules of interest (Fig. 1b). The SFG studies probing individual impactor samples from the Central Amazon and filter samples from Southern Finland were carried out by clamping them between a fused silica window (ISP Optics, IR grade) and a microscope slide for backside support (Fig. 1c). Prior to each experiment the optical windows were cleaned by rinsing with methanol and by sonication in methanol for 3 min, followed by rinsing with Millipore water and

sonication in Millipore water for 5 min. The windows were then dried in a 100 °C oven for at least 30 min and subjected to 15 min of plasma cleaning in 300–500 mTorr of air prior to beginning an SFG experiment. Following plasma cleaning and cooling to room temperature, the window was placed atop the filter of interest, which was stored in a freezer at –10 °C until the beginning of the SFG experiments. Given the 30 μm spot size of our laser beams and the average mass on the filters, we calculate that there is less than one nanogram of material sampled in each of the SFG experiments. In general, we found that shorter sample collection times resulted in less material that was visibly present on the filters, and those filters yielded higher SFG signal intensity, consistent with negligible self-absorption of the visible SFG signals by colored material on the filter (vide infra).

3 Results

3.1 Vibrational responses of reference compounds

Vibrational SFG spectra of aliphatic hydrocarbons can show up to five peaks in the CH stretching region, and the assignment of the vibrational resonances is very well established (Dollish et al., 1974; Bellamy, 1975; Guyot-Sionnest et al., 1987; Roeges, 1994; Sefler et al., 1995; Nanjundiah et al., 2005; Esenturk et al., 2006; Voges et al., 2007). Specifically important for this work, methyl CH stretches are identified as follows: asymmetric CH₃ stretching modes generally appear in the 2945 cm⁻¹ to 2975 cm⁻¹ range, symmetric CH₃ stretching modes appear between 2870 and 2890 cm⁻¹, and CH₃ Fermi resonances are located between 2915 and 2945 cm⁻¹. Conversely, methylene CH stretching modes can appear in vibrational SFG spectra at the following frequencies: asymmetric CH₂ stretching modes appear in the range 2920–2940 cm⁻¹ and symmetric CH₂ stretching modes appear between 2840 and 2870 cm⁻¹. In this present work, we present the first vibrational SFG spectra of atmospherically relevant terpenes and secondary organic aerosol material formed from them, which we as-

Contrasting organic aerosol particles from boreal and tropical forests

C. J. Ebben et al.

Title Page

Abstract

Introduction

Conclusions

References

Tables

Figures



Back

Close

Full Screen / Esc

Printer-friendly Version

Interactive Discussion



sign by combining the existing literature data with the general practice that symmetric stretches and Fermi resonances are 180° out of phase with respect to their corresponding asymmetric stretches when they are probed using the SSP polarization (Lu et al., 2004; Moad et al., 2004). The following section provides a brief overview of the theoretical background of our spectroscopic measurement technique.

Figure 2 shows the SSP-polarized vibrational SFG spectra of fused silica windows in contact with the equilibrium vapor pressure over a drop of (+)- α -pinene, (+)- β -pinene, (-)-limonene, isoprene, 2-cis-pentene, *n*-hexene, *n*-pentene, cyclohexene, and cyclopentene maintained at room temperature, respectively. The SSP polarization combination probes the components of the vibrational modes that are oriented perpendicularly to the surface. We find the SFG spectra of the cyclic terpenes to be dominated by an intense peak in the asymmetric methyl CH stretching region above 2900 cm^{-1} . This finding is consistent with the fact that the three methyl groups are tightly interlocked in the bridged six-membered ring structure. Given the rigid structure of α -pinene, the relative position of the oscillators is quite inflexible, and the SFG response is a result of strongly coupled coherences, which is consistent with the fact that we obtain a higher signal-to-noise for the terpenes than for more flexible systems such as hexane, pentane, cyclohexane, or cyclopentane (Buchbinder et al., 2010), which have similar vapor pressures at room temperature and, given their general hydrophobic nature, thus most likely a similar surface coverage. Figure 2 also shows that the CH stretches of the two methyne and methylene CH stretches, which should occur at 2900 cm^{-1} and 2920 and 2850 cm^{-1} , respectively, are not resolved in the α -pinene spectrum shown. Other polarization combinations show negligible signal intensity in those frequency ranges as well. We conclude from these results that the SFG spectrum of (+)- α -pinene exhibits just the asymmetric and symmetric methyl CH stretches at 2960 cm^{-1} and 2880 cm^{-1} as well as a methyl Fermi resonance at 2940 cm^{-1} , which dominates the spectral response. In α - and β -pinene, the methylene asymmetric stretch of the CH_2 on the four-membered ring may be shifted to higher frequencies (2950 – 2990 cm^{-1}) due to ring strain, and contribute to the signal observed in this range (Ball, 1997; Buchbinder

Contrasting organic aerosol particles from boreal and tropical forests

C. J. Ebben et al.

[Title Page](#)[Abstract](#)[Introduction](#)[Conclusions](#)[References](#)[Tables](#)[Figures](#)[⏪](#)[⏩](#)[◀](#)[▶](#)[Back](#)[Close](#)[Full Screen / Esc](#)[Printer-friendly Version](#)[Interactive Discussion](#)

et al., 2010; Durig et al., 2008, 1990; Galabov and Simov, 1972).

The frequencies of the methyl CH stretches of (+)- α -pinene, (+)- β -pinene, and limonene are indicative of the substitution pattern in the six-membered ring: the asymmetric methyl CH stretch for β -pinene occurs at 2940 cm^{-1} , whereas it occurs at 2954 cm^{-1} for limonene, and at 2938 cm^{-1} for α -pinene. This finding indicates that the presence of the two methyl groups bound to the four-membered ring of α - and β -pinene, whose four carbon atoms are all sp^3 -hybridized, can be clearly identified separately of the methyl groups in limonene, which are connected to sp^2 -hybridized carbon atoms. The asymmetric and symmetric methyl CH stretching modes of limonene occur at frequencies that are in good agreement with those reported by Belkin et al. showing vibrational SFG in chiral bulk liquids (Belkin et al., 2000), including (+)- and (-)-limonene.

While the olefinic CH stretches, which occur above 3000 cm^{-1} due to the sp^2 -hybridization state of the carbon atoms involved, are absent in the SFG spectra of the cyclic terpenes, they are clearly observed for the case of cyclopentene and isoprene, the latter of which also shows the well-known asymmetric and symmetric CH stretches between 2950 cm^{-1} and 2850 cm^{-1} , respectively. The vibrational SFG spectra of cis-2-pentene, *n*-hexene, *n*-pentene, cyclohexene, and cyclopentene vapor in contact with an α -alumina optical window, which have been analyzed, assigned, and discussed in our previous work (Buchbinder et al., 2010), shows substantial signal intensity in the symmetric CH stretching region below 2900 cm^{-1} , and this unique response distinguishes those compounds from the terpenes.

3.2 Vibrational responses of model and natural secondary aerosol particles

In this section, the use of vibrational SFG to study secondary aerosol particles derived from isoprene and α -pinene is presented to demonstrate how synthetic aerosol particles can be readily analyzed for their chemical composition and structural aspects by SFG. Figure 3 shows the SSP-polarized vibrational SFG spectra of a fused silica window in contact with the equilibrium vapor pressure over a drop of (+)- α -pinene

Contrasting organic aerosol particles from boreal and tropical forests

C. J. Ebben et al.

Title Page

Abstract

Introduction

Conclusions

References

Tables

Figures

⏪

⏩

◀

▶

Back

Close

Full Screen / Esc

Printer-friendly Version

Interactive Discussion



Contrasting organic aerosol particles from boreal and tropical forests

C. J. Ebben et al.

[Title Page](#)[Abstract](#)[Introduction](#)[Conclusions](#)[References](#)[Tables](#)[Figures](#)[⏪](#)[⏩](#)[◀](#)[▶](#)[Back](#)[Close](#)[Full Screen / Esc](#)[Printer-friendly Version](#)[Interactive Discussion](#)

maintained at room temperature (spectrum a) along with the SFG spectrum of a Teflon filter containing secondary organic aerosol particles prepared from (+)- α -pinene as discussed above (spectrum b). Like the α -pinene SFG spectrum, the SFG response is dominated by one peak, which now occurs at 2950 cm^{-1} , while the SFG signal contribution at 2880 cm^{-1} is not shifted from that of unreacted α -pinene. In addition, the SFG spectrum of the α -pinene-derived secondary organic aerosol particles on the filter exhibits some signal contribution at 2920 cm^{-1} , which is characteristic of methylene asymmetric CH stretches in alkyl chains (Voges et al., 2004; Buchbinder et al., 2010). Given the strong asymmetric CH stretching contributions observed for the α -pinene-derived secondary organic aerosol particles, we conclude that the chemical composition of the particles is related to that of α -pinene in the sense that it contains rigidly arranged methyl groups. This result is consistent with reports showing the presence of four-membered ring motifs (Tolocka et al., 2004; Docherty et al., 2005; Kroll et al., 2008; Heaton et al., 2009) in pinene-derived secondary organic material. We note that there are no other volatile organic compounds injected besides α -pinene in the environmental chamber during the aerosol particle synthesis.

Figure 3 shows that the vibrational SFG spectrum of α -pinene-derived secondary organic material matches almost quantitatively the vibrational SFG spectrum of PM₁ filter samples collected in Southern Finland (spectrum c). This latter spectrum is the average of ten SFG spectra recorded of individual filter samples collected on the dates mentioned in the introduction (17 July 2010 and 21 July 2010), which show little variation in the particular polarization combination (SSP) used here. While it cannot be ruled out that β -pinene and limonene, which were present in the gas phase during the time of the HUMPPA-COPEC-2010 campaign (Table 1), are absent in the Finnish aerosol particle filter samples, the top three SFG spectra shown in Fig. 3 suggest that the hydrocarbon component of the material collected in the submicron size range on the filters is dominated by α -pinene-derived secondary organic aerosol particles.

Figure 3 also shows the SSP-polarized vibrational SFG spectra of a fused silica window in contact with the equilibrium vapor pressure over a drop of isoprene main-

Contrasting organic aerosol particles from boreal and tropical forests

C. J. Ebben et al.

[Title Page](#)[Abstract](#)[Introduction](#)[Conclusions](#)[References](#)[Tables](#)[Figures](#)[⏪](#)[⏩](#)[◀](#)[▶](#)[Back](#)[Close](#)[Full Screen / Esc](#)[Printer-friendly Version](#)[Interactive Discussion](#)

tained at room temperature (spectrum d) along with the SFG spectrum of a Teflon filter containing secondary organic aerosol particles prepared from isoprene as discussed above (spectrum e). This latter spectrum shows the presence of the methyl asymmetric and symmetric CH stretching modes characteristic of aliphatic linear and branched hydrocarbons (Esenturk et al., 2004; Fourkas et al., 2007), which suggests that the isoprene-derived secondary organic material consists of oligomeric or polymeric organic material in which the methyl groups are not nearly as rigidly arranged as in the α -pinene-derived model secondary organic aerosol particles. Shown next is the vibrational SFG spectrum that is obtained from MOUDI impactor substrates containing aerosol particles with aerodynamic diameters of $1.0\ \mu\text{m}$ and below that were collected in the Central Amazon Basin (spectrum f). The spectrum shows clear asymmetric CH stretching modes above $2900\ \text{cm}^{-1}$ and little signal in the symmetric CH stretching region below $2900\ \text{cm}^{-1}$. The spectrum is distinctly different from the α -pinene and isoprene-derived model secondary organic aerosol material prepared in the environmental chamber, and it shows no immediate resemblance to the SFG spectra of the hydrocarbon species shown in Fig. 2. Given that the gas phase at the sampling site contains many hydrocarbon species during the wet season, including β -pinene and limonene, which were speciated during AMAZE-08 (Table 1), we conclude from the SFG spectrum of the $1\text{-}\mu\text{m}$ sized secondary organic aerosol particles that none of the reference compounds whose SFG spectra are shown in Fig. 2 dominate the chemical composition of the natural particles from the tropical forest.

3.3 Nucleation event

As mentioned in the introduction, 23 July 2010 was characterized by an apparent nucleation event. Although a maximum likelihood of nucleation event occurrence is during spring with a secondary peak in the fall, some events also take place during the summertime (Kulmala et al., 2004; Sogacheva et al., 2005). On 23 July 2010 back-trajectories indicated that air masses arriving at Hyytiälä originated from the Arctic Ocean. Consequently the submicron aerosol number concentration decreased to

Contrasting organic aerosol particles from boreal and tropical forests

C. J. Ebben et al.

[Title Page](#)[Abstract](#)[Introduction](#)[Conclusions](#)[References](#)[Tables](#)[Figures](#)[Back](#)[Close](#)[Full Screen / Esc](#)[Printer-friendly Version](#)[Interactive Discussion](#)

a campaign minimum at 06:00 a.m. local time (Fig. 4a) (Williams et al., 2011). Although the number concentration was due to the freshly formed nanoparticles, the mass, while small, was due to the few accumulation mode particles. Due to low mass loading, the Teflon filter collected during that time resulted in infrared absorbances below detection limit ($< 1 \times 10^{-4}$) in the CH stretching region. However, during the six hours of particle collection, which sampled 2.85 m^3 of air, enough particles were deposited on the filter that SFG spectra could be recorded in the CH stretching region. Figure 4b shows that the SSP-polarized vibrational SFG spectrum obtained from the filter collected during the nucleation event yields less signal intensity but is spectrally similar to that of the particles collected between roughly 06:00 a.m. 21 July 2010 and 06:00 a.m. 22 July 2010, for which transmission FTIR spectra show absorbances around 10^{-2} . These results indicate that vibrational SFG spectroscopy can be qualitatively useful at the very low loadings associated with nucleation events.

3.4 Size-dependence of vibrational response

To further investigate the progression of chemical complexity in the aerosol particles collected in the Central Amazon Basin we recorded vibrational SFG spectra of super- and submicron sized particle fractions (Fig. 5). These spectra show strong SFG signal contributions in the aromatic CH stretching region above 3000 cm^{-1} and in the symmetric CH stretching region below 2900 cm^{-1} for the supermicron size range, and remarkably uniform spectral responses in the asymmetric CH stretching region above 2900 cm^{-1} for the submicron range. From this result and the results presented in the previous section, we conclude that while the chemical composition of the submicron size fraction is not simply isoprene-, pinene-, or limonene-like in terms of the methyl CH stretching signal contributions to the vibrational SFG signals, it is invariant with particle diameter in the climate-relevant submicron size range, at least for the aerodynamic diameters studied here (i.e. 50 % cutoff diameters of 330 nm to $1.0 \mu\text{m}$).

4 Conclusions

In conclusion, we have presented vibrational sum frequency generation spectra of atmospherically relevant monoterpenes and isoprene and secondary organic aerosol material formed from them in an environmental chamber as well as in the natural environment of a boreal and a tropical forest. We have evaluated how the chemical identity of the aerosol particle phase sampled in two very different geographic locations can be analyzed directly on impactor substrates and filter materials, without the need for solid phase extraction or other sample manipulation. The technique presented here exhibits sensitivities to nanogram amounts of material that offers off-line spectroscopic analysis at a time resolution that would enable greater insight into the temporal evolution of atmospheric processes, including events associated with particle nucleation, for which particle concentrations are prohibitively low for more traditional particle analysis methods. We note that the SFG spectra presented here are not reported for quantitative analysis, but future work will expand this method for the quantification of calibrated mass.

By comparing coherent vibrational spectra of a variety of terpene and olefin reference compounds as well as model secondary aerosol particle materials synthesized in an environmental chamber, we have shown that submicron aerosol particles sampled in Southern Finland during HUMPPA-COPEC-2010 are likely to be composed to a large degree of material that is comparable in chemical composition to synthetic α -pinene-derived aerosol particles. Furthermore, we find that the filter sample collected during a nucleation event during the campaign exhibits a coherent vibrational spectral response that is comparable to the one obtained from particles collected in the entire submicron size fraction. Consistent with work by Riipinen et al. (2011), this finding suggests that the condensable vapors responsible for the growth of the nucleation and Aitken modes are associated with the mass increase of the particles that goes along with the increases in aerodynamic size, and thus introduce little or no changes in chemical composition as probed by vibrational SFG. This response is dominated by

ACPD

11, 16933–16966, 2011

Contrasting organic aerosol particles from boreal and tropical forests

C. J. Ebben et al.

Title Page

Abstract

Introduction

Conclusions

References

Tables

Figures

⏪

⏩

◀

▶

Back

Close

Full Screen / Esc

Printer-friendly Version

Interactive Discussion



the two methyl groups and the four-membered ring moiety of the cyclic terpenes. While aerosol particles from the Central Amazon Basin were found to be chemically complex in the coarse mode, they exhibited similar vibrational SFG responses in the fine mode down to aerodynamic diameter as low as 0.33 microns, indicating that their chemical composition also changes little in the submicron size range.

These results regarding the chemical composition of organic aerosol particles formed in monoterpene- and isoprene-rich air, respectively, are consistent with histogram analyses of the isoprene and monoterpene abundance recorded during the HUMPPA-COPEC-2010 and AMAZE-08 campaigns (Fig. 6). We conclude that if air is rich in monoterpenes, including α - and β -pinene, secondary aerosol particles that form under normal OH and O₃ concentration levels can be described in terms of their hydrocarbon content as being similar to α -pinene-derived model secondary organic aerosol particles in the submicron size range. Isoprene, on the other hand, undergoes reaction pathways for which OH radical chemistry is very important (Atkinson et al., 1998), and if the isoprene concentration dominates the chemical composition of air in a forest environment, the hydrocarbon component of secondary organic material in the submicron size range is not simply well-represented by that of isoprene-derived model secondary organic aerosol particles but is more complex. Throughout the climate-relevant aerodynamic size range of the fine mode, however, we find that the chemical composition of the secondary organic particle material from such air is remarkably invariant with size, even given the log-normal aerodynamic size distributions of a MOUDI (Marple et al., 1991), suggesting that the particle growth does not change the chemical composition of the hydrocarbon component of the particles in a significant way. The findings presented here thus deepen our understanding of the formation, microphysics, and fate of aerosol particles in tropical vs. boreal forests in that they provide molecular information that could heretofore only be obtained with destructive methods or techniques that require extensive sample manipulation, signal averaging, or micrograms of material.

Contrasting organic aerosol particles from boreal and tropical forests

C. J. Ebben et al.

Title Page

Abstract

Introduction

Conclusions

References

Tables

Figures

⏪

⏩

◀

▶

Back

Close

Full Screen / Esc

Printer-friendly Version

Interactive Discussion



Contrasting organic aerosol particles from boreal and tropical forests

C. J. Ebben et al.

Title Page

Abstract

Introduction

Conclusions

References

Tables

Figures



Back

Close

Full Screen / Esc

Printer-friendly Version

Interactive Discussion

Acknowledgement. CJE gratefully acknowledges an NSF Graduate Research Fellowship. ALC acknowledges a DOE Office of Science Graduate Fellowship. JW, MK and TP acknowledge support from the European Community Research (ERC) Infrastructure Action Contract No. RII3-CT-2006-026140 Infrastructure for Measurements, ERC Grant ATMNUCLE (project No. 227463), Academy of Finland Center of Excellence program (project No. 1118615), Academy of Finland project 139656, the European Integrated Project on Aerosol Cloud Climate and Air Quality Interactions EUCAARI (project No. 036833-2), the EUSAAR TNA (project No. 400586), and the IMECC TA (project No. 4006261). PA acknowledges the support of FAPESP and CNPq for grants that funded part of this work. STM thanks the Office of Science (BES), US Department of Energy, for support under grant No. DE-FG02-08ER64529 and gratefully acknowledges support from the US National Science Foundation under grant # NSF ATM-0723582. LMR acknowledges support from the National Science Foundation Atmospheric Geospace Science division under grant # NSF ATM-0904203. FMG thanks the NSF Atmospheric and Geospace Science division for support under grant # NSF ATM-0533436, the NSF Environmental Chemical Sciences division and the Atmospheric and Geospace Science division for support under grant # NSF CHE-1111418, and the division of Chemical, Bioengineering, Environmental and Transport systems, Catalysis and Biocatalysis CBET program (grant # NSF CBET 0931701), and the Northwestern University Institute for Catalysis in Energy Processes, which is funded by the Chemical Sciences, Geosciences, and Biosciences Division, Office of Basic Energy Sciences, Office of Science, US Department of Energy (# DE-FG02-03-ER15457). The authors also thank Spectra Physics, a Division of Newport Corporation, for equipment loans and donations as well as superb technical support. FMG gratefully acknowledges support from an Irving M. Klotz professorship in physical chemistry.

References

- Allen, H. C., Gragson, D. E., and Richmond, G. L.: Molecular structure and adsorption of dimethyl sulfoxide at the surface of aqueous solutions, *J. Phys. Chem. B*, 103(4), 660–666, 1999.
- Atkinson, R. and Arey, J.: Atmospheric chemistry of biogenic organic compounds, *Acc. Chem. Res.*, 31(9), 574–583, 1998.

Contrasting organic aerosol particles from boreal and tropical forests

C. J. Ebben et al.

[Title Page](#)[Abstract](#)[Introduction](#)[Conclusions](#)[References](#)[Tables](#)[Figures](#)[⏪](#)[⏩](#)[◀](#)[▶](#)[Back](#)[Close](#)[Full Screen / Esc](#)[Printer-friendly Version](#)[Interactive Discussion](#)

- Ball, D. W.: Density functional calculations on the heats of formation of cyclic hydrocarbons, *J. Mol. Struct.-Theochem.*, 417, 107–115, 1997.
- Belkin, M. A., Kulakov, T. A., Ernst, K. H., Yan, L., and Shen, Y. R.: Sum-frequency vibrational spectroscopy on chiral liquids: a novel technique to probe molecular chirality, *Phys. Rev. Lett.*, 85(21), 4474–4477, 2000.
- Bellamy, L. J.: *The Infra-Red Spectra of Complex Molecules*, John Wiley & Sons, New York, 1975.
- Buchbinder, A. M., Weitz, E., and Geiger, F. M.: Pentane, hexane, cyclopentane, cyclohexane, 1-hexene, 1-pentene, cis-2-pentene, cyclohexene, and cyclopentene at vapor/alpha-alumina and liquid/alpha-alumina interfaces studied by broadband sum frequency generation, *J. Phys. Chem. C*, 114(1), 554–566, 2010.
- Chen, Q., Liu, Y., Donahue, N. M., Shilling, J. E., and Martin, S. T.: Particle-phase chemistry of secondary organic material: modeled compared to measured O:C and H:C elemental ratios provide constraints, *Env. Sci. Technol.*, 45(11), 4763–4770, 2011.
- Chen, X., Wang, J., Boughton, A. P., Kristalyn, C. B., and Chen, Z.: Multiple orientation of melittin inside a single lipid bilayer determined by combined vibrational spectroscopic studies, *J. Am. Chem. Soc.*, 129(5), 1420–1427, 2007.
- Docherty, K. S., Wu, W., Kim, Y. B., and Ziemann, P. J.: Contributions of organic peroxides to secondary aerosol formed from reactions of monoterpenes with O₃, *Environ. Sci. Technol.*, 39, 4049–4059, 2005.
- Dollish, F. R., Fateley, W. G., and Bentley, F. F.: *Characteristic Raman Frequencies of Organic Compounds*, John Wiley & Sons, New York, 1974.
- Durig, J. R., Lee, M. J., and Little, T. S.: Spectra and structure of small ring compounds. Part LVI- Raman and far-infrared spectra, conformational stability vibrational assignments, normal coordinate analysis and ab initio calculations of chlorocyclobutane, *J. Raman Spectrosc.*, 21, 529–542, 1990.
- Durig, J. R., El Defrawy, A. M., Ward, R. M., Guirgis, G. A., and Gounev, T. K.: Conformational stability of chlorocyclohexane from temperature-dependent FT-IR spectra of xenon solutions, r(0) structural parameters, and vibrational assignment, *Struct. Chem.*, 19, 579–594, 2008.
- Eerdeken, G., Yassaa, N., Sinha, V., Aalto, P. P., Aufmhoff, H., Arnold, F., Fiedler, V., Kulmala, M., and Williams, J.: VOC measurements within a boreal forest during spring 2005: on the occurrence of elevated monoterpene concentrations during night time intense particle concentration events, *Atmos. Chem. Phys.*, 9, 8331–8350, doi:10.5194/acp-9-8331-2009,

Contrasting organic aerosol particles from boreal and tropical forests

C. J. Ebben et al.

[Title Page](#)[Abstract](#)[Introduction](#)[Conclusions](#)[References](#)[Tables](#)[Figures](#)[⏪](#)[⏩](#)[◀](#)[▶](#)[Back](#)[Close](#)[Full Screen / Esc](#)[Printer-friendly Version](#)[Interactive Discussion](#)

2009.

Esenturk, O. and Walker, R. A.: Surface structure at hexadecane and halo-hexadecane liquid/vapor interfaces, *J. Phys. Chem. B*, 108(30), 10631–10635, 2004.

Esenturk, O. and Walker, R. A.: Surface vibrational structure at alkane liquid/vapor interfaces, *J. Chem. Phys.*, 125(17), 174701, 2006.

Fourkas, J. T., Walker, R. A., Can, S., and Gershgoren, E.: Effects of reorientation in vibrational sum frequency spectroscopy, *J. Phys. Chem. C*, 111, 8902–8915, 2007.

Galabov, B. and Simov, D.: Stretching vibrations of methylene group and ring strain in cycloalkanes, *J. Mol. Struct.*, 11, 341–346, 1972.

Geiger, F. M.: Second harmonic generation, sum frequency generation, and C(3): dissecting environmental interfaces with a nonlinear optical Swiss army knife, *Annu. Rev. Phys. Chem.*, 60, 61, 2009.

Gopalakrishnan, S., Liu, D., Allen, H. C., Kuo, M., and Shultz, M. J.: Vibrational spectroscopic studies of aqueous interfaces: salts, acids, bases, and nanodrops, *Chem. Rev.*, 106(4), 1155–1175, 2006.

Guyot-Sionnest, P., Hunt, J. H., and Shen, Y. R.: Sum-frequency vibrational spectroscopy of a Langmuir film: study of molecular orientation of a two-dimensional system, *Phys. Rev. Lett.*, 59(14), 1597–1600, 1987.

Hakola, H., Tarvainen, V., Laurila, T., Hiltunen, V., Hellen, H., and Keronen, P.: Seasonal variation of VOC concentrations above a boreal coniferous forest, *Atmos. Environ.*, 37(12), 1623–1634, 2003.

Hari, P. and Kulmala, M.: Station for measuring ecosystem-atmosphere relations (SMEAR II) *Bor. Env. Res.* 10, 315–322, 2005.

Hayes, P. L., Chen, E. H., Achtyl, J. L., and Geiger, F. M.: An optical voltmeter for studying cetyltrimethylammonium interaction with fused silica/aqueous interfaces at high ionic strength, *J. Phys. Chem. A*, 113(16), 4269, 2009.

Heaton, K. J., Sleighter, R. L., Hatcher, P. G., Hall IV, W. A., and Johnston, M. V.: Composition domains in monoterpene secondary organic aerosol, *Env. Sci. Technol.*, 43, 7797–7802, 2009.

Holzinger, R., Williams, J., Herrmann, F., Lelieveld, J., Donahue, N. M., and Röckmann, T.: Aerosol analysis using a Thermal-Desorption Proton-Transfer-Reaction Mass Spectrometer (TD-PTR-MS): a new approach to study processing of organic aerosols, *Atmos. Chem. Phys.*, 10, 2257–2267, doi:10.5194/acp-10-2257-2010, 2010.

Contrasting organic aerosol particles from boreal and tropical forests

C. J. Ebben et al.

[Title Page](#)[Abstract](#)[Introduction](#)[Conclusions](#)[References](#)[Tables](#)[Figures](#)[⏪](#)[⏩](#)[◀](#)[▶](#)[Back](#)[Close](#)[Full Screen / Esc](#)[Printer-friendly Version](#)[Interactive Discussion](#)

- Karl, T., Guenther, A., Yokelson, R. J., Greenberg, J. P., Potosnak, M., Blake, D. R., and Artaxo, P.: The tropical forest and fire emissions experiment: emission, chemistry, and transport of biogenic volatile organic compounds in the lower atmosphere over Amazonia, *J. Geophys. Res.*, 112, D18302, doi:10.1029/2007JD008539, 2007.
- 5 Kroll, J. H. and Seinfeld, J. H.: Chemistry of secondary organic aerosol: formation and evolution of low-volatility organics in the atmosphere, *Atmos. Environ.*, 42, 3593–3624, 2008.
- Kulmala, M., Suni, T., Lehtinen, K. E. J., Dal Maso, M., Boy, M., Reissell, A., Rannik, Ü., Aalto, P., Keronen, P., Hakola, H., Bäck, J., Hoffmann, T., Vesala, T., and Hari, P.: A new feedback mechanism linking forests, aerosols, and climate, *Atmos. Chem. Phys.*, 4, 557–
- 10 562, doi:10.5194/acp-4-557-2004, 2004.
- Lelieveld, J., Butler, T. M., Crowley, J. N., Dillon, T. J., Fischer, H., Ganzeveld, L., Harder, H., Lawrence, M. G., Martinez, M., Taraborrelli, D., and Williams, J.: Atmospheric oxidation capacity sustained by a tropical forest, *Nature*, 452(7188), 737–740, 2008.
- Liu, D. F., Ma, G., Levering, L. M., and Allen, H. C.: Vibrational spectroscopy of aqueous sodium halide solutions and air-liquid interfaces: observation of increased interfacial depth, *J. Phys. Chem. B*, 108(7), 2252–2260, 2004.
- 15 Lu, R., Gan, W., Wu, B.-H., Chen, H., and Wang, H.-F.: Vibrational polarization spectroscopy of ch stretching modes of the methylene group at the vapor/liquid interfaces with sum frequency generation, *J. Phys. Chem. B*, 108(22), 7297–7306, 2004.
- 20 Marple, V. A., Rubow, K. L., and Behm, S. M.: A microorifice uniform deposit impactor (MOUDI): description, calibration, and use, *Aerosol Sci. Technol.*, 14(4), 434–446, 1991.
- Martin, S. T., Andreae, M. O., Althausen, D., Artaxo, P., Baars, H., Borrmann, S., Chen, Q., Farmer, D. K., Guenther, A., Gunthe, S. S., Jimenez, J. L., Karl, T., Longo, K., Manzi, A., Müller, T., Pauliquevis, T., Petters, M. D., Prenni, A. J., Pöschl, U., Rizzo, L. V., Schneider, J.,
- 25 Smith, J. N., Swietlicki, E., Tota, J., Wang, J., Wiedensohler, A., and Zorn, S. R.: An overview of the Amazonian Aerosol Characterization Experiment 2008 (AMAZE-08), *Atmos. Chem. Phys.*, 10, 11415–11438, doi:10.5194/acp-10-11415-2010, 2010.
- Moad, A. J. and Simpson, G. J.: A unified treatment of selection rules and symmetry relations for sum-frequency and second harmonic spectroscopies, *J. Phys. Chem. B*, 108(11), 3548–
- 30 3562, 2004.
- Mucha, M., Frigato, T., Levering, L. M., Allen, H. C., Tobias, D. J., Dang, L. X., and Jungwirth, P.: Unified molecular picture of the surfaces of aqueous acid, base, and salt solutions, *J. Phys. Chem. B*, 109, 7617–7623, 2005.

Contrasting organic aerosol particles from boreal and tropical forests

C. J. Ebben et al.

Title Page

Abstract

Introduction

Conclusions

References

Tables

Figures

◀

▶

◀

▶

Back

Close

Full Screen / Esc

Printer-friendly Version

Interactive Discussion



- Nanjundiah, K. and Dhinojwala, A.: Confinement-induced ordering of alkanes between an elastomer and a solid surface, *Phys. Rev. Lett.*, 95(15), 154301, 2005.
- Petäjä, T., Mauldin III, R. L., Kosciuch, E., McGrath, J., Nieminen, T., Paasonen, P., Boy, M., Adamov, A., Kotiaho, T., and Kulmala, M.: Sulfuric acid and OH concentrations in a boreal forest site, *Atmos. Chem. Phys.*, 9, 7435–7448, doi:10.5194/acp-9-7435-2009, 2009.
- Riipinen, I., Pierce, J. R., Yli-Juuti, T., Nieminen, T., Häkkinen, S., Ehn, M., Junninen, H., Lehtipalo, K., Petäjä, T., Slowik, J., Chang, R., Shantz, N. C., Abbatt, J., Leaitch, W. R., Kerminen, V.-M., Worsnop, D. R., Pandis, S. N., Donahue, N. M., and Kulmala, M.: Organic condensation: a vital link connecting aerosol formation to cloud condensation nuclei (CCN) concentrations, *Atmos. Chem. Phys.*, 11, 3865–3878, doi:10.5194/acp-11-3865-2011, 2011.
- Roeges, N. P. G.: *A Guide to the Complete Interpretation of Infrared Spectra of Organic Structures*, John Wiley & Sons, New York, 1994,
- Sefler, G. A., Du, Q., Miranda, P. B., and Shen, Y. R.: Surface crystallization of liquid *n*-alkanes and alcohol monolayers studied by surface vibrational spectroscopy, *Chem. Phys. Lett.*, 235(3–4), 347–354, 1995.
- Shilling, J. E., Chen, Q., King, S. M., Rosenoern, T., Kroll, J. H., Worsnop, D. R., McKinney, K. A., and Martin, S. T.: Particle mass yield in secondary organic aerosol formed by the dark ozonolysis of α -pinene, *Atmos. Chem. Phys.*, 8, 2073–2088, doi:10.5194/acp-8-2073-2008, 2008.
- Sogacheva, L., Dal Maso, M., Kerminen, V. M., and Kulmala, M.: Probability of nucleation events and aerosol particle concentration in different air mass types arriving at Hyytiälä Southern Finland, based on back trajectories analysis, *Bor. Env. Res.*, 10, 479–491, 2005.
- Stokes, G. Y., Buchbinder, A. M., Gibbs-Davis, J. M., Scheidt, K. A., and Geiger, F. M.: Chemically diverse environmental interfaces and their reactions with ozone studied by sum frequency generation, *Vibr. Spectrosc.*, 50, 86–98, 2009a.
- Stokes, G. Y., Chen, E. H., Buchbinder, A. M., and Geiger, F. M.: Atmospheric heterogeneous stereochemistry, *J. Am. Chem. Soc.*, 131, 13733–13737, 2009b.
- Stokes, G. Y., Chen, E. H., Walter, S. R., and Geiger, F. M.: Two reactivity modes in the heterogeneous cyclohexene ozonolysis under tropospherically relevant ozone-rich and ozone-limited conditions, *J. Phys. Chem. A*, 113(31), 8985–8993, 2009c.

Contrasting organic aerosol particles from boreal and tropical forests

C. J. Ebben et al.

[Title Page](#)[Abstract](#)[Introduction](#)[Conclusions](#)[References](#)[Tables](#)[Figures](#)[⏪](#)[⏩](#)[◀](#)[▶](#)[Back](#)[Close](#)[Full Screen / Esc](#)[Printer-friendly Version](#)[Interactive Discussion](#)

- Tarbuck, T. L. and Richmond, G. L.: Adsorption and reaction of CO₂ and SO₂ at a water surface, *J. Am. Chem. Soc.*, 128, 3256–3267, 2006.
- Tolocka, M. P., Jang, M., Ginter, J. M., Xoc, F. J., Kamens, R. M., and Johnston, M. V.: Formation of oligomers in secondary organic aerosol, *Env. Sci. Technol.*, 38, 1428–1434, 2004.
- 5 Tyrode, E., Rutland, M. W., and Bain, C. D.: Adsorption of CTAB on hydrophilic silica studied by linear and nonlinear optical spectroscopy, *J. Am. Chem. Soc.*, 130, 17434, 2008.
- Voges, A. B., Al-Abadleh, H. A., Musorriti, M. J., Bertin, P. A., Nguyen, S. T., and Geiger, F. M.: Carboxylic acid- and ester-functionalized siloxane scaffolds on glass studied by broadband sum frequency generation, *J. Phys. Chem. B*, 108(48), 18675–18682, 2004.
- 10 Voges, A. B., Al-Abadleh, H. A., and Geiger, F. M.: Applications of Non-Linear Optical Techniques for Studying Heterogeneous Systems Relevant in the Natural Environment, *Environmental Catalysis*, edited by: Grassian, V. H., CRC Press, Boca Raton, 2005.
- Voges, A. B., Stokes, G. Y., Gibbs-Davis, J. M., Lettan, R. B., Bertin, P. A., Pike, R. C., Nguyen, S. T., Scheidt, K. A., and Geiger, F. M.: Insights into heterogeneous atmospheric oxidation chemistry: development of a tailor-made synthetic model for studying tropospheric surface chemistry, *J. Phys. Chem. C*, 111(4), 1567–1578, 2007.
- 15 Voss, L. F., Bazerbashi, M. F., Beekman, C. P., Hadad, C. M., and Allen, H. C.: Oxidation of oleic acid at air/liquid interfaces, *J. Geophys. Res.*, 112, D06209, 2007.
- Wang, H.-F., Gan, W., Lu, R., Rao, Y., and Wu, B.-H.: Quantitative spectral and orientational analysis in surface sum frequency generation vibrational spectroscopy (SFG-VS), *Int. Rev. Phys. Chem.*, 24(2), 191, 2005.
- 20 Weeraman, C., Yatawara, A. K., Bordenyuk, A. N., and Benderskii, A. V.: Effect of nanoscale geometry on molecular conformation: vibrational sum-frequency generation of alkanethiols on gold nanoparticles, *J. Am. Chem. Soc.*, 128(44), 14244, 2006.
- 25 Williams, J., Crowley, J., Fischer, H., Harder, H., Martinez, M., Petäjä, T., Rinne, J., Bäck, J., Boy, M., Dal Maso, M., Hakala, J., Kajos, M., Keronen, P., Rantala, P., Aalto, J., Aaltonen, H., Paatero, J., Vesala, T., Hakola, H., Levula, J., Pohja, T., Herrmann, F., Auld, J., Mesarchaki, E., Song, W., Yassaa, N., Nölscher, A., Johnson, A. M., Custer, T., Sinha, V., Thieser, J., Pouvesle, N., Taraborrelli, D., Tang, M. J., Bozem, H., Hosaynali-Beygi, Z., Axinte, R., Oswald, R., Novelli, A., Kubistin, D., Hens, K., Javed, U., Trawny, K., Breitenberger, C., Hidalgo, P. J., Ebben, C. J., Geiger, F. M., Corrigan, A. L., Russell, L. M., Ouwensloot, H., Vilà-Guerau de Arellano, J., Ganzeveld, L., Vogel, A., Beck, M., Bay-
erle, A., Kampf, C. J., Bertelmann, M., Köllner, F., Hoffmann, T., Valverde, J., González, D.,

Riekkola, M. L., Kulmala, M., and Lelieveld, J.: The summertime Boreal forest field measurement intensive (HUMPPA-COPEC-2010): an overview of meteorological and chemical influences, *Atmos. Chem. Phys. Discuss.*, 11, 15921–15973, doi:10.5194/acpd-11-15921-2011, 2011.

- 5 Zhu, X. D., Suhr, H. J., and Shen, Y. R.: Surface vibrational spectroscopy by infrared-visible sum-frequency generation, *J. Opt. Soc. Am. B*, 3, P252, 1986.

ACPD

11, 16933–16966, 2011

Contrasting organic aerosol particles from boreal and tropical forests

C. J. Ebben et al.

[Title Page](#)[Abstract](#)[Introduction](#)[Conclusions](#)[References](#)[Tables](#)[Figures](#)[⏪](#)[⏩](#)[◀](#)[▶](#)[Back](#)[Close](#)[Full Screen / Esc](#)[Printer-friendly Version](#)[Interactive Discussion](#)

Contrasting organic aerosol particles from boreal and tropical forests

C. J. Ebben et al.

Table 1. Range of concentrations of OH, O₃, and various monoterpenes relevant in Southern Finland and the Central Amazon Basin.

Species	Southern Finland	Central Amazon basin
OH (10 ⁶ cm ⁻³)	0.2–3.0 ¹	1–3 ³ and 5 ⁴
O ₃ (ppb)	20–70	1–20
Isoprene (ppb)	0.01–0.70	1–9
α -pinene (ppb)	0.01–1.0	0.01–0.40
β -pinene (ppb)	0.01–0.20	0.008–0.080
Limonene (ppb)	0.013 ²	0.008–0.080 ³

¹ Data from Petäjä et al. (2009).

² For summertime, mid-day maximum, from Hakola et al. (2003).

³ Data for the same location studied during AMAZE-08 from Karl et al. (2007).

⁴ Data for the tropical forest boundary layer from Lelieveld et al. (2008).

Title Page

Abstract

Introduction

Conclusions

References

Tables

Figures

⏪

⏩

◀

▶

Back

Close

Full Screen / Esc

Printer-friendly Version

Interactive Discussion



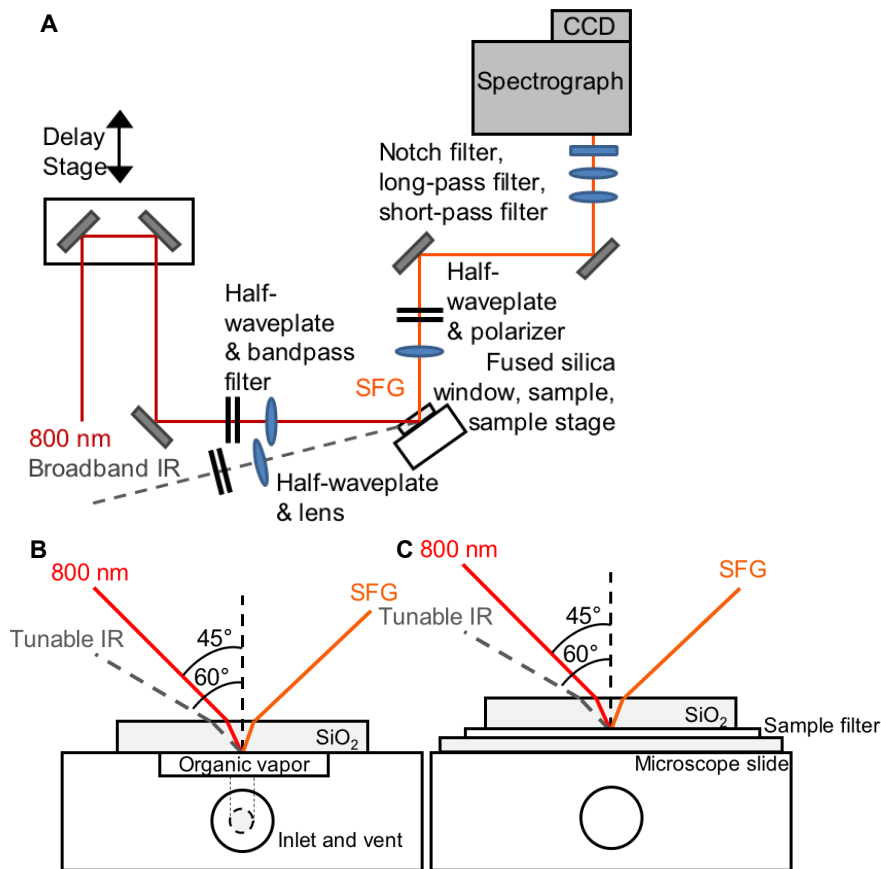


Fig. 1. (A) Schematic of the optical layout used for the vibrational sum frequency generation (SFG) experiments. (B) Top view of the sample cell used for collecting vibrational SFG spectra from the optical window/organic vapor interface. (C) Top view of the sample cell used for collecting vibrational SFG spectra from the fused silica/filter sample interface.

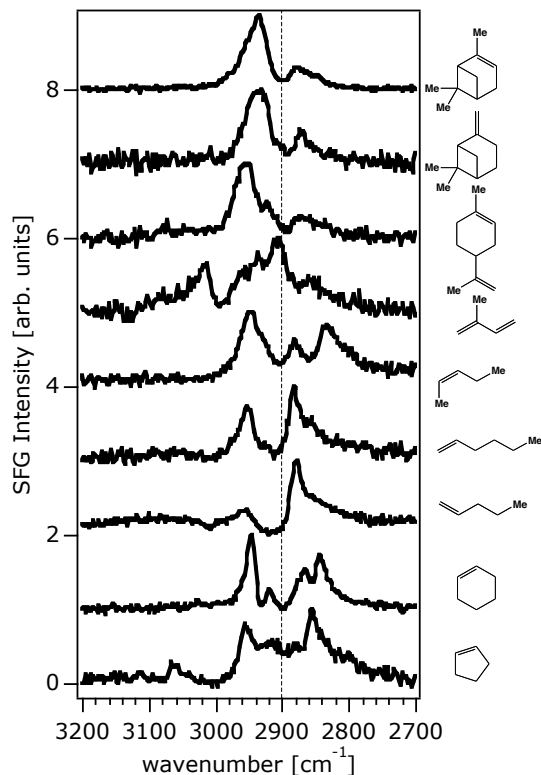


Fig. 2. SSP-Polarized vibrational SFG spectra of an optical window in contact with the equilibrium organic vapor at room temperature of (top to bottom) α -pinene, β -pinene, limonene, isoprene, cis-2-pentene, n -hexene, n -pentene, cyclohexene, and cyclopentene. All spectra normalized to the highest peak intensity, and offset for clarity. The vertical dashed line at 2900 cm^{-1} dissects the frequency location of asymmetric and symmetric CH stretching modes of aliphatic hydrocarbon species to the left and right of it, respectively.

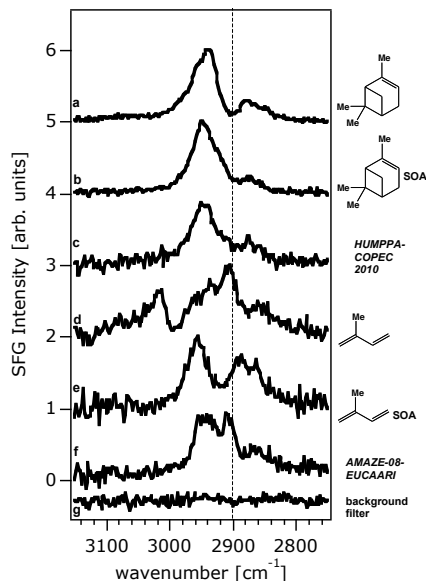


Fig. 3. SSP-Polarized vibrational SFG spectra of an optical window in contact with **(A)** the equilibrium organic vapor at room temperature of α -pinene; **(B)** secondary organic particle material produced from α -pinene in the Harvard Environmental Chamber (HEC); **(C)** a Teflon filter containing aerosol particles with diameters below $1\ \mu\text{m}$ collected in Southern Finland during the HUMPPA-COPEC-2010 field intensive; **(D)** the equilibrium organic vapor at room temperature of isoprene; **(E)** isoprene-derived secondary organic aerosol particle material produced at the HEC; **(F)** a fused silica window which had been pressed against impactor substrates containing aerosol particles with diameters below $1\ \mu\text{m}$ collected in the Central Amazon Basin during the 2008 wet season; and **(G)** of a Teflon filter placed after a HEPA filter during the outflow of α -pinene-derived secondary organic aerosol particles produced at the HEC. All spectra normalized to the highest peak intensity, and offset for clarity. The vertical dashed line at $2900\ \text{cm}^{-1}$ dissects the frequency location of asymmetric and symmetric CH stretching modes of aliphatic hydrocarbon species to the left and right of it, respectively.

Contrasting organic aerosol particles from boreal and tropical forests

C. J. Ebben et al.

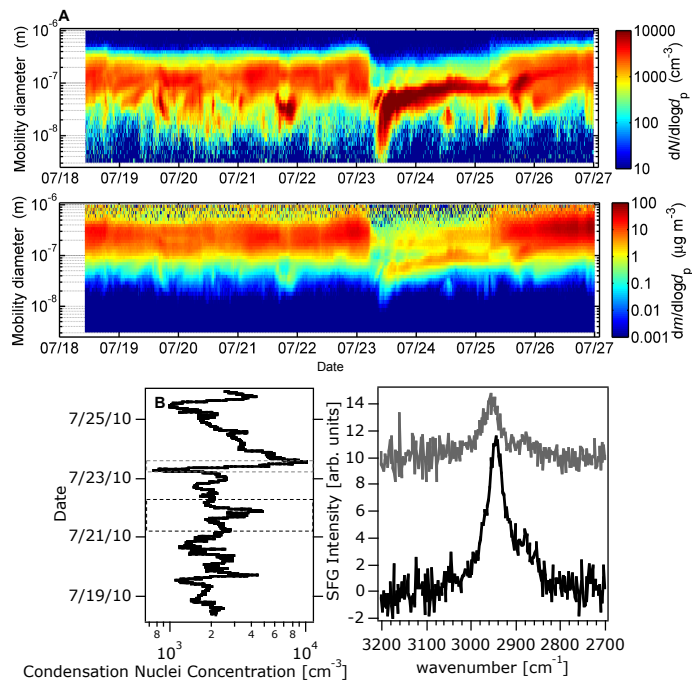


Fig. 4. (A) Aerodynamic mobility diameter and particle number density (top) and aerodynamic mobility diameter and mass particle size distribution (bottom) as a function of time of submicron-sized aerosol particles. (B) (Left) Total concentration of condensation nuclei in a supersaturated condensation chamber for the first week of the HUMPPA-COPEC-2010 campaign. The dashed boxes indicate the start and stop times for Teflon sampling filters FIN134→23 July 2010 (top) and FIN126→21 July 2010 (bottom), which sampled ambient air before (bottom) and during (top) a nucleation event. (Right) SSP-Polarized vibrational SFG spectra of a fused silica window pressed against filter FIN134 (top) and FIN126 (bottom). The SFG spectra are normalized to the same signal to noise ratio in the nonresonant frequency region to show the change in signal yield from the filter with the lower particle mass.

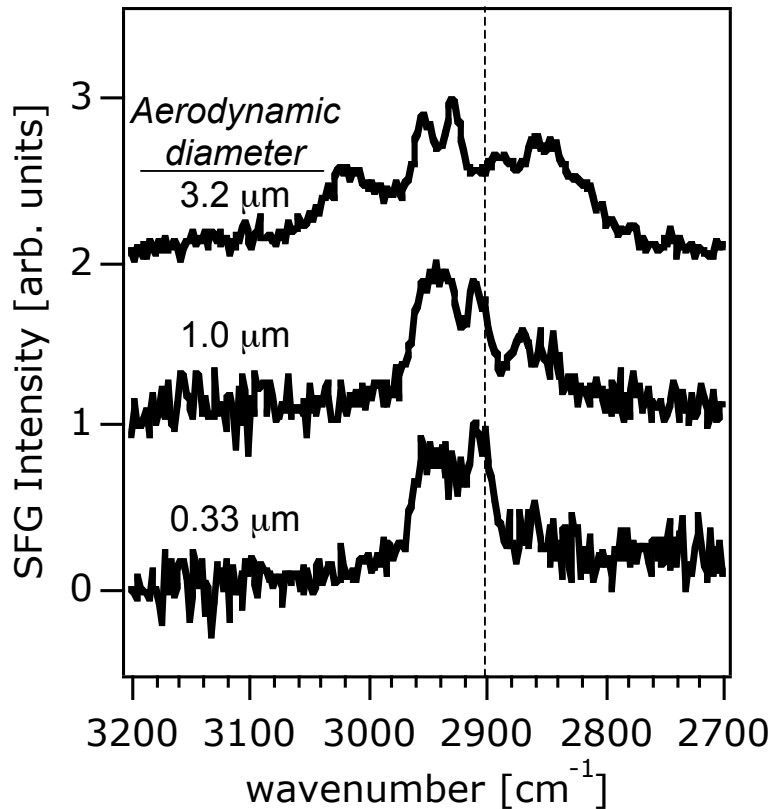


Fig. 5. SSP-Polarized vibrational SFG spectra of an optical window pressed against impactor substrates containing aerosol particles having (top to bottom) aerodynamic diameters of 3.2, 1.0 and 0.33 μm that were collected in the Central Amazon Basin during the 2008 wet season. All spectra normalized to the highest peak intensity, and offset for clarity. The vertical dashed line at 2900 cm^{-1} dissects the frequency location of asymmetric and symmetric CH stretching modes of aliphatic hydrocarbon species to the left and right of it, respectively.

Contrasting organic aerosol particles from boreal and tropical forests

C. J. Ebben et al.

Title Page	
Abstract	Introduction
Conclusions	References
Tables	Figures
◀	▶
◀	▶
Back	Close
Full Screen / Esc	
Printer-friendly Version	
Interactive Discussion	



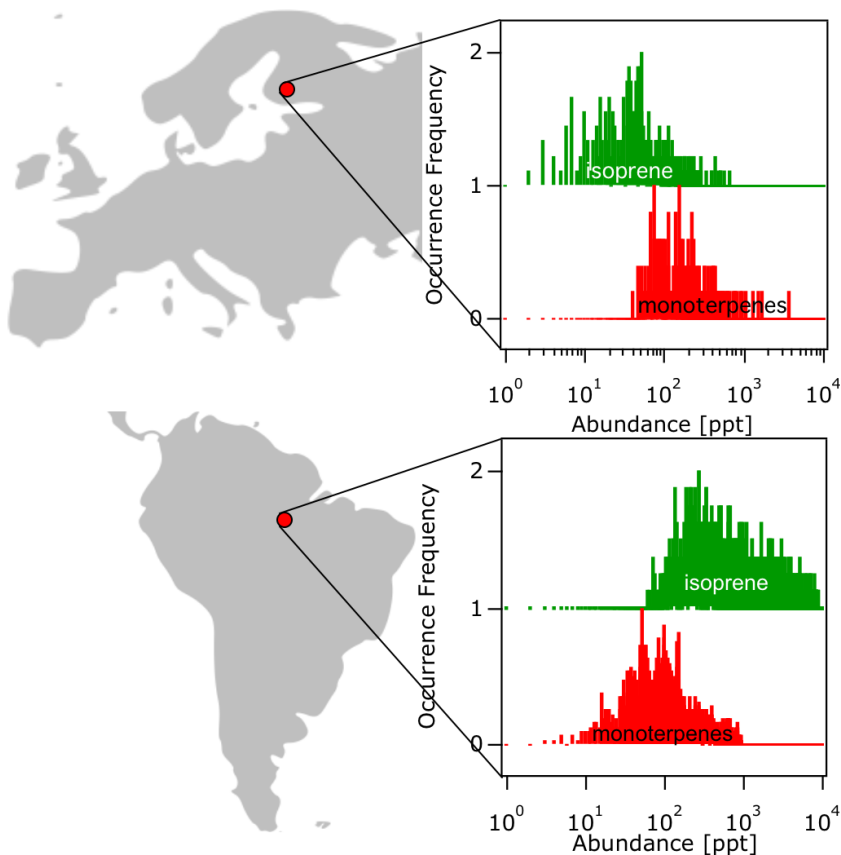


Fig. 6. Normalized histograms of the isoprene and monoterpene concentrations recorded in Southern Finland during the HUMPPA-COPEC-2010 field intensive (top) and in the Central Amazon Basin during the 2008 wet season (bottom). Isoprene data offset by 1.0 for clarity in each histogram, hence the y -axis range of zero to two.

Contrasting organic aerosol particles from boreal and tropical forests

C. J. Ebben et al.

Title Page

Abstract Introduction

Conclusions References

Tables Figures

◀ ▶

◀ ▶

Back Close

Full Screen / Esc

Printer-friendly Version

Interactive Discussion

