

Supplement of Atmos. Chem. Phys., 18, 5847–5860, 2018
<https://doi.org/10.5194/acp-18-5847-2018-supplement>
© Author(s) 2018. This work is distributed under
the Creative Commons Attribution 3.0 License.



Supplement of

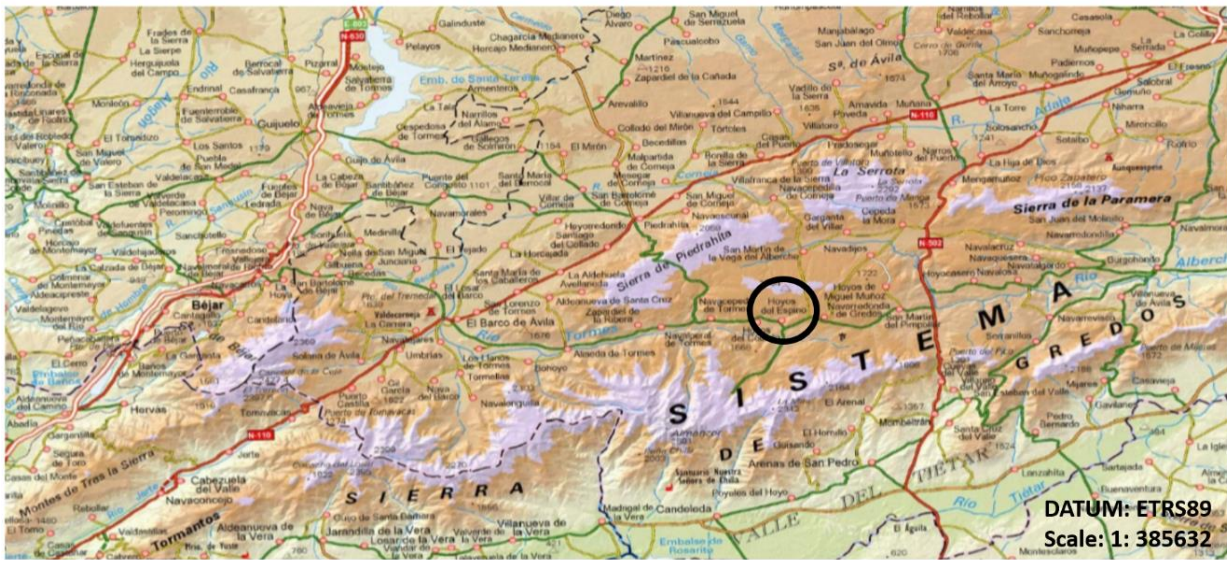
Study of the daily and seasonal atmospheric CH₄ mixing ratio variability in a rural Spanish region using ²²²Rn tracer

Claudia Grossi et al.

Correspondence to: Claudia Grossi (claudia.grossi@upc.edu) and Felix R. Vogel (felix.vogel@canada.ca)

The copyright of individual parts of the supplement might differ from the CC BY 3.0 License.

Study of the daily and seasonal atmospheric CH₄ mixing ratio variability in a rural Spanish region using 222Rn tracer by Grossi et al. 2017 ACPD.



5 Figure S1. Topographic map of the Gredos National Park (GNP) with the location of the GIC3 station (black circle).

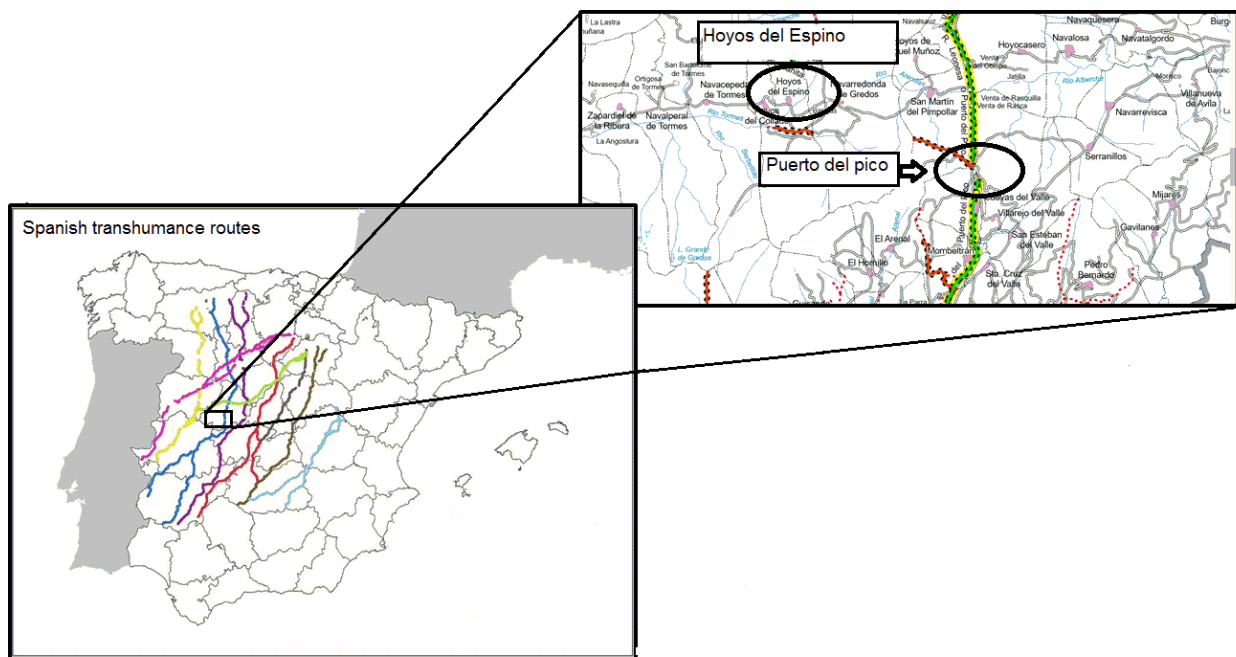


Figure S2. Spanish transhumance paths (left panel), Hoyo del Espino (location of IC3-GIC3 station) and Puerto del Pico (entrance to the GNP valley of the transhumant livestock coming in June from Extremadura, where they spent the winter months, across the Cañada Real Leonesa Occidental (green line of right panel)). Modified from: Ministerio de Agricultura, Alimentación y Medio Ambiente (Libro Blanco, 2013).

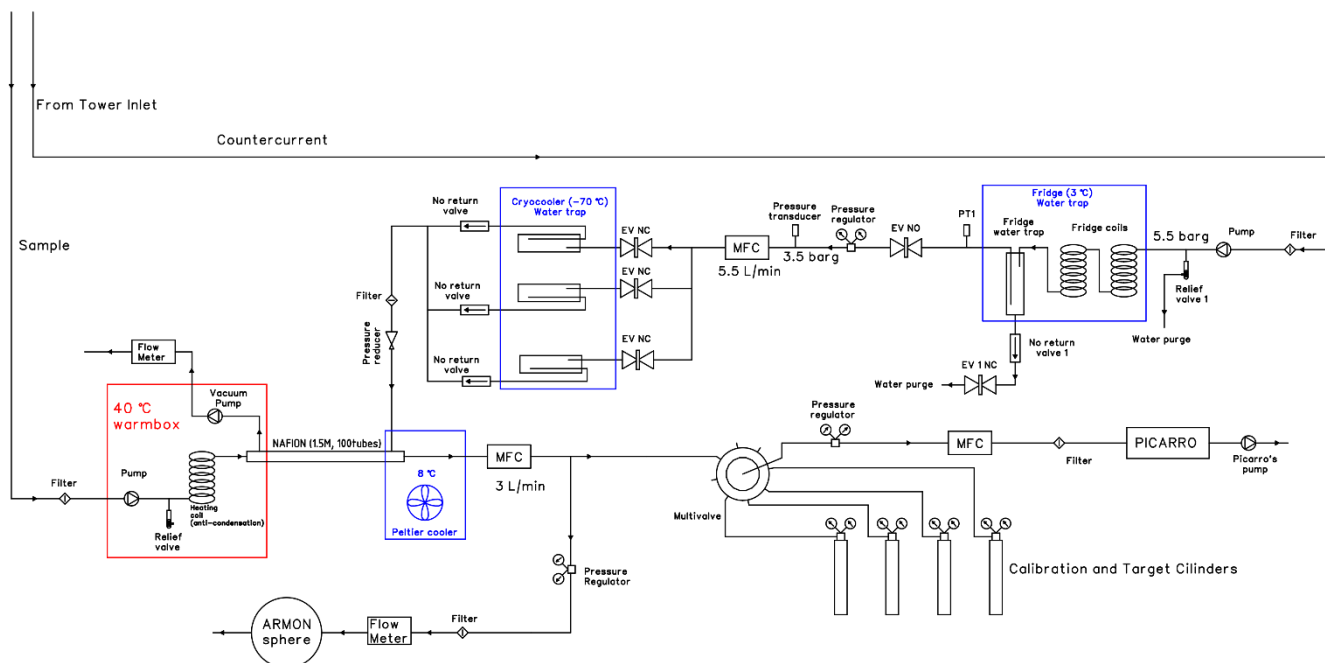


Figure S3. Scheme of the measurement setup used at the GIC station.

5

Metropolitan areas	Distance from GIC3 (km)	Position	Latitude LL (°)	Longitude LL (°)	Latitude UR (°)	Longitude UR (°)	Density of habitants (hab./km ²)
Avila	55	North-East	40.64	-4.73	40.68	-4.66	21
Madrid	120	East	40.28	-3.91	40.55	-3.42	809
Salamanca	84	North-West	40.93	-5.72	41.01	-5.59	29
Valladolid	150	West	41.60	-4.82	41.66	-4.68	65

Table S1 Main characteristics of the cities around GIC3 station. LL (Lowest Left Corner) and UR (Up Right Corner) of the rectangular masks used to define to the metropolitan area of the cities in the EDGARv4.2 inventory map.

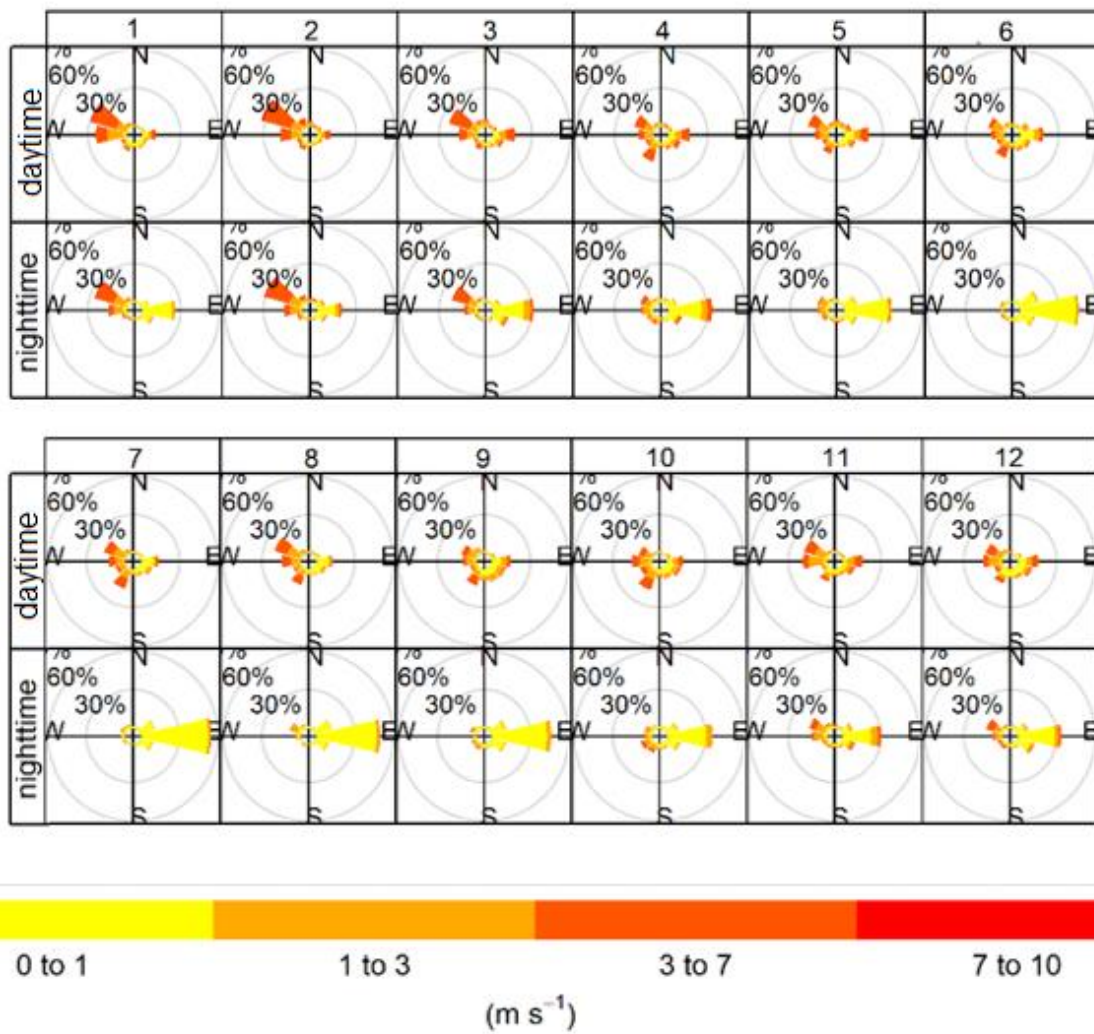


Figure S4 Windrose plots at GIC3 by month (January = 1, February = 2, etc.) and daytime/nighttime periods (averages for the period 2013-2015).