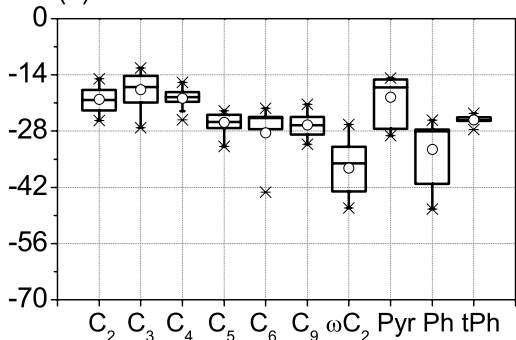
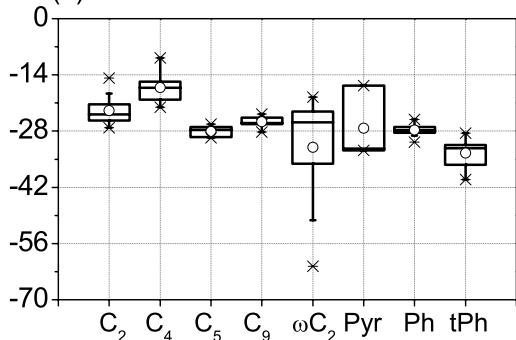


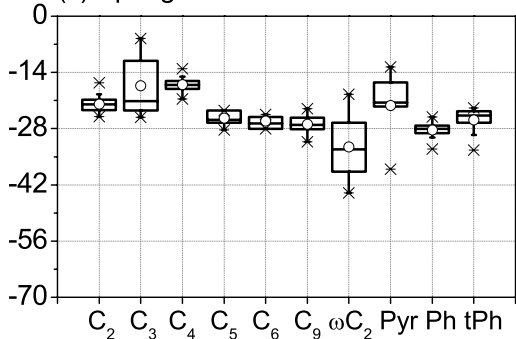
(a) Autumn



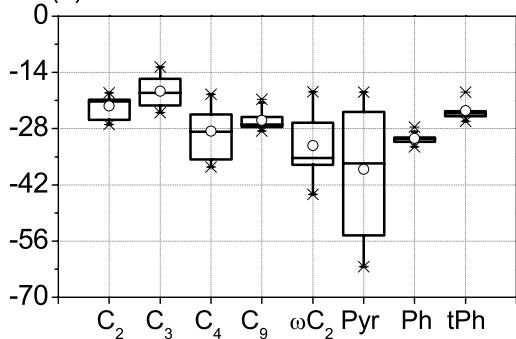
(b) Winter



(c) Spring



(d) Summer



Diacids, glyoxylic and pyruvic acids